



PARTS CATALOGUE

Series E46



BMW ALPINA B3 S

BMW ALPINA B3 S Coupé

BMW ALPINA B3 S Cabrio

BMW ALPINA B3 S Touring

The ALPINA - parts catalogue is based on the BMW - parts catalogue. Basic car for the BMW ALPINA B3 S (B3 3,4 L), the BMW ALPINA B3 S coupé (B3 3,4 C), the BMW ALPINA B3 S cabriolet (B3 3,4 R) and the BMW ALPINA B3 S Touring (B3 3,4 T) is the BMW 330i E46. Basic engine is the S52B32 (E36 M3 US; grey cast iron crankcase).

Only ALPINA parts and not clear perceptible BMW parts which are different to the basic car are listed. For BMW parts the BMW parts catalogue has to be used.

The abbreviations used in several columns of the text lines have the following meanings:

1. item column (POS): picture number equal to the shown part
2. expression column
3. part number column
4. model column: wanted quantity, x = quantity as required
5. RL-column: RDH-vehicle
x = only for RDH-vehicle
6. AUT. Spalte: x= only for SWITCH-TRONIC-vehicle
7. remarks column (REM): a, b, c, ... country specification, use from/ up to, other informations
A: part number exchangeable with the one mentioned in the next line
E: part number is cancelled
W: part number is used alternatively by the one standing either before it or afterwards (also marked with "WW")

The illustrations in this catalogue do not correspond to the original size and shape!

Catalogue index

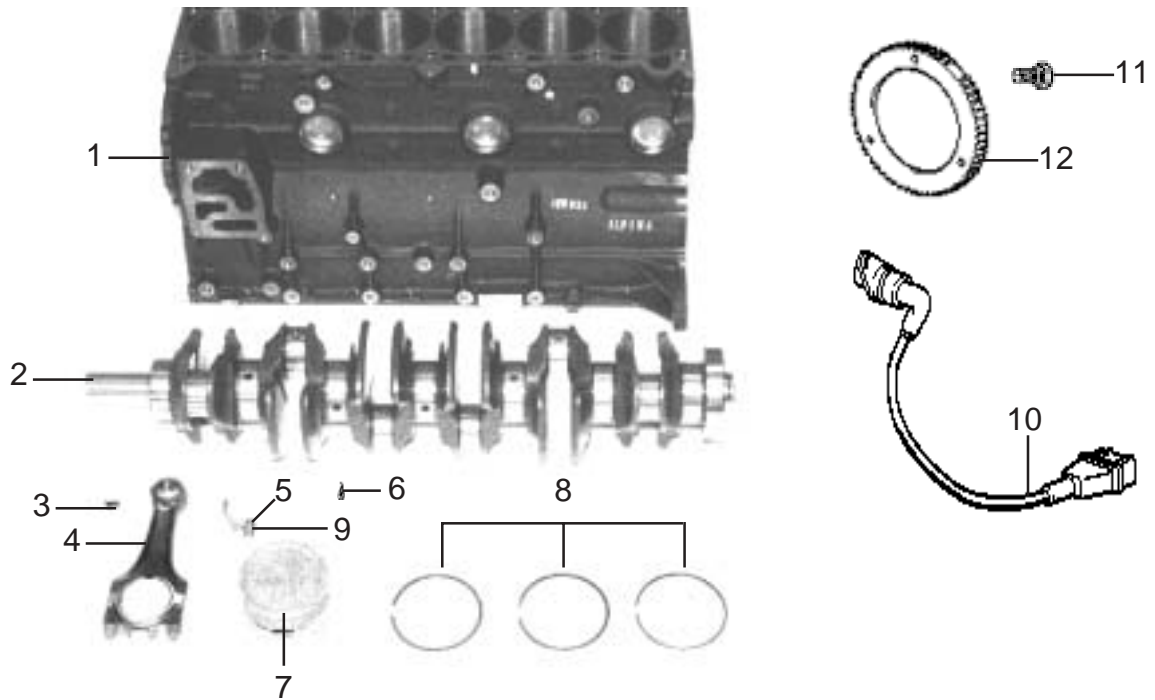
11	engine	33	rear axle
12	engine electrical system	34	brakes
13	fuel preparation system	36	wheels
16	fuel supply	41	bodyshell
18	exhaust system	51	vehicle trim
21	clutch	61	vehicle electrical system
23	manual transmission	62	instruments
24	automatic transmission	63	lighting
26	drive shaft	64	heater and air conditioning
31	front axle	76	special parts
32	steering	88	information stickers/manuals

part number: 88 03 245

as of 10.09.2003

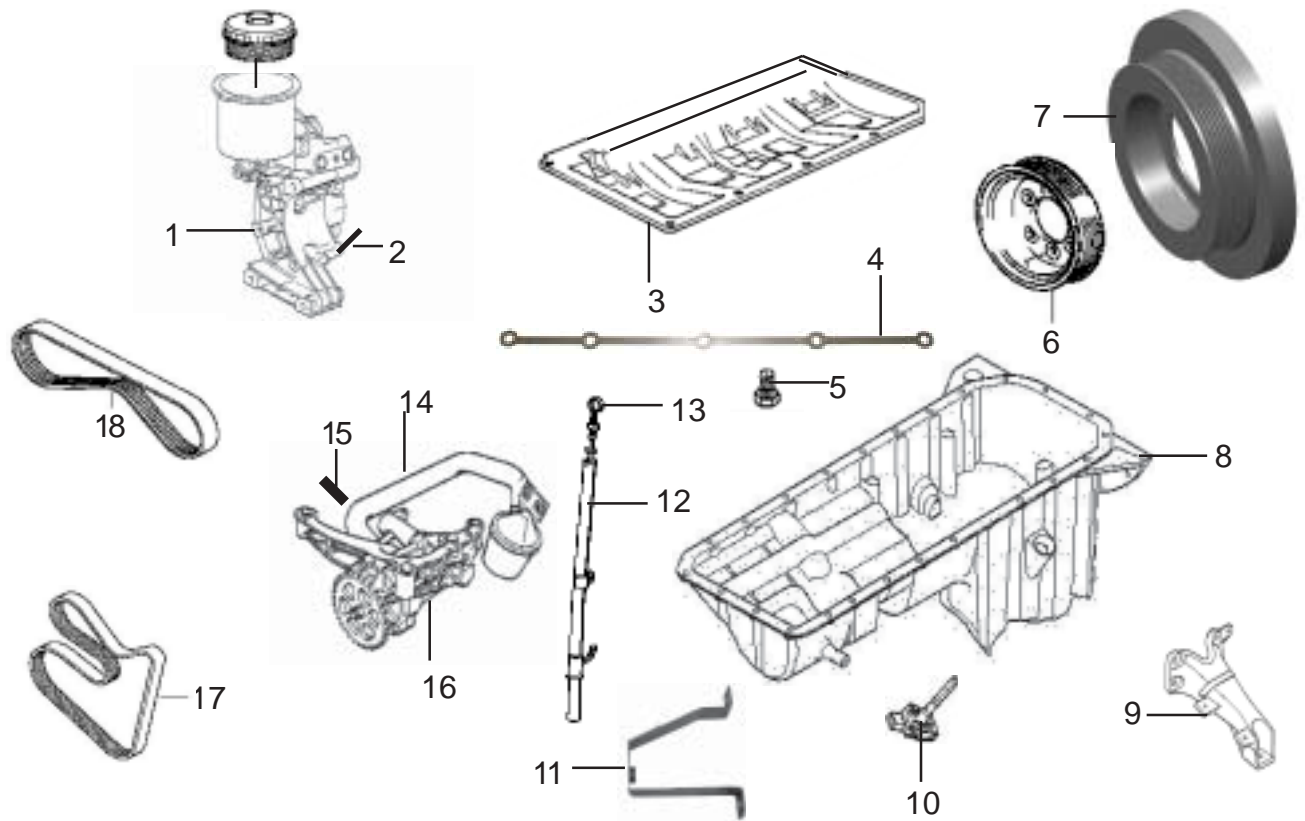
ALPINA BURKARD BOVENSIEPEN GMBH + CO.

Alpenstraße 35-37 D-86807 Buchloe Tel. 08241/5005-0 Fax.08241/5005-155



P O S	expression	part number	B3 S L	B3 S C	B3 S R	B3 S T	RL	A U T	R E M
1	crankcase 87,00mm	11 11 133	1	1	1	1			AE
1	crankcase 87,00mm	11 11 141	1	1	1	1			a
2	crankshaft 93,80mm	11 21 114	1	1	1	1			
3	woodruff key	07 11 9 951 480	1	1	1	1			
4	connecting rod	11 24 020	6	6	6	6			
5	oil spraying nozzle	11 42 7 507 384	6	6	6	6			
6	plug	11 11 122	6	6	6	6			b
7	piston (cyl. size 87,00mm)	11 25 175	6	6	6	6			
8	set piston rings (cyl. size 87,00mm)	11 25 844	6	6	6	6			
9	screw oil spraying nozzle	11 42 1 317 140	6	6	6	6			
10	crankshaft sensor	12 14 1 709 616	1	1	1	1			
11	lock bolt	11 21 1 739 272	3	3	3	3			
12	trigger wheel	11 21 115	1	1	1	1			
	bearing shell: see engine S52B32								

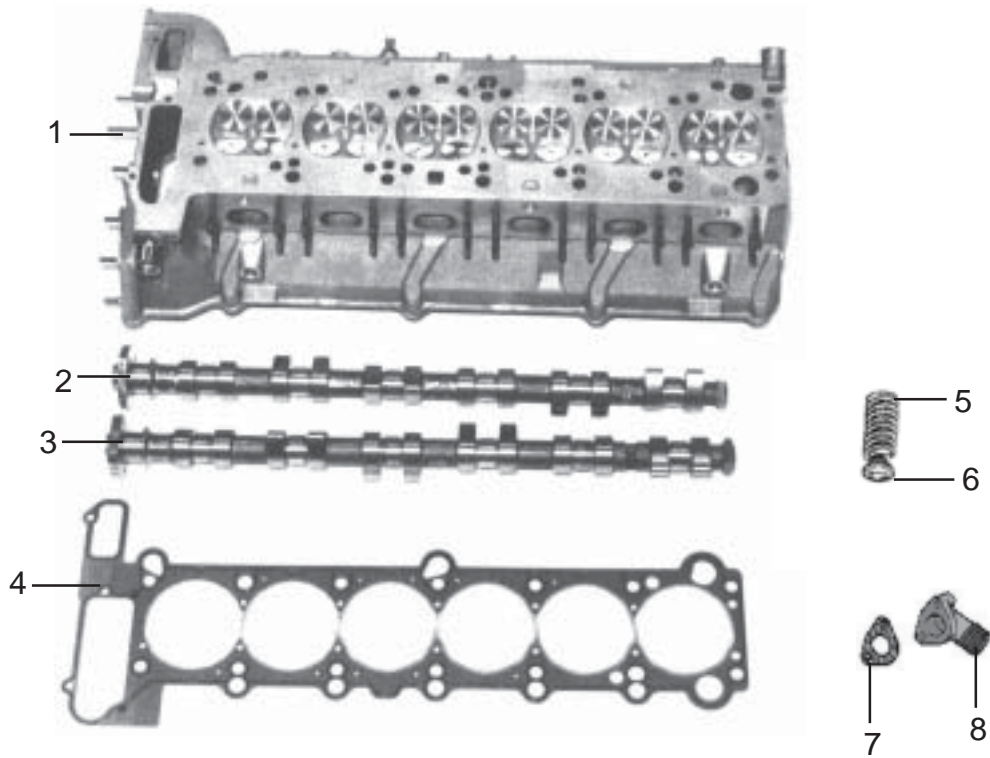
a) included set plugs 11 11 136
b) included in Pos. 1)



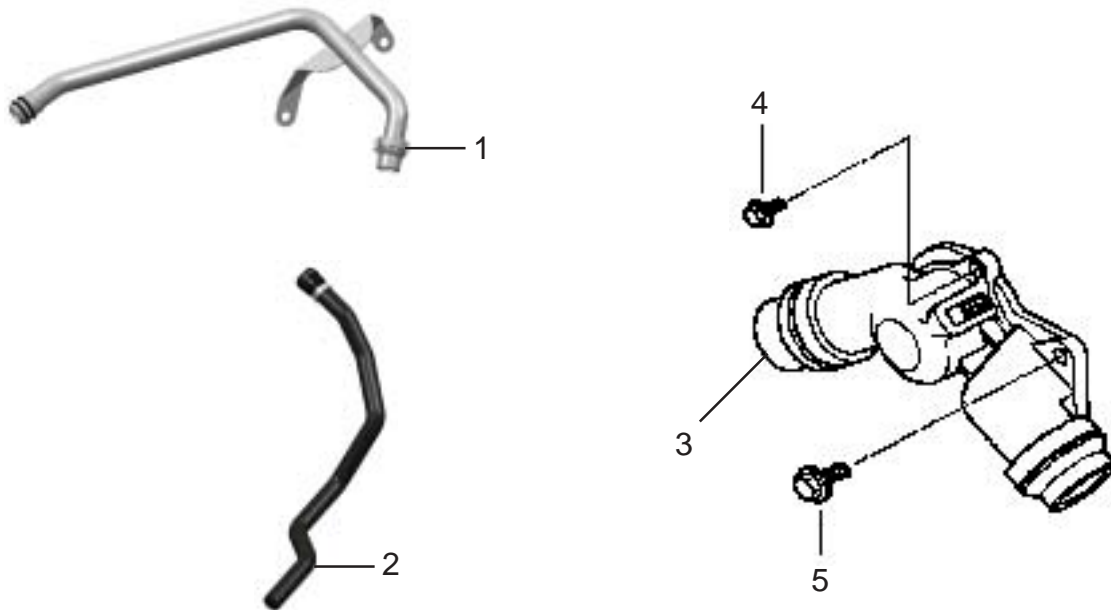
P O S	expression	part number	B3 S	B3 S	B3 S	B3 S	RL	A U T	R E M
			L	C	R	T			
1	aggregate support with oilfilter	11 42 1 713 838	1	1	1	1			
2	clamp	61 13 1 354 601	1	1	1	1			
3	oil deflector	11 13 1 433 060	1	1	1	1			a
4	spacer stip (only with M6x14!)	11 13 123	2	2	2	2			
5	screw M6x14 Z1	07 11 9 900 250	10	10	10	10			
6	pulley	11 28 1 735 358	1	1	1	1			b
7	vibration damper	11 23 101	1	1	1	1			
8	oil pan	11 13 1 432 703	1	1	1	1			
9	engine bracket left	11 81 134	1	1	1	1			
10	oil levelling sensor	12 61 7 508 003	1	1	1	1			
11	bracket oil dipstick tube	11 43 100	1	1	1	1			
12	oil dipstick tube	11 43 1 433 496	1	1	1	1			
13	oil dipstick	11 43 1 436 293	1	1	1	1			
14	suction pipe	11 41 1 744 157	1	1	1	1			
15	gasket	11 41 1 703 947	1	1	1	1			
16	oilpump	11 41 101	1	1	1	1			
	without pic.: bracket oilpump	11 41 1 735 260	1	1	1	1			
17	V-belt LB 1555-6K	11 28 7 516 181	1	1	1	1			
18	V-belt 4PKx863 f. A/C compressor	11 28 7 512 762	1	1	1	1			

a) only in connection POS. 4 und POS. 5!

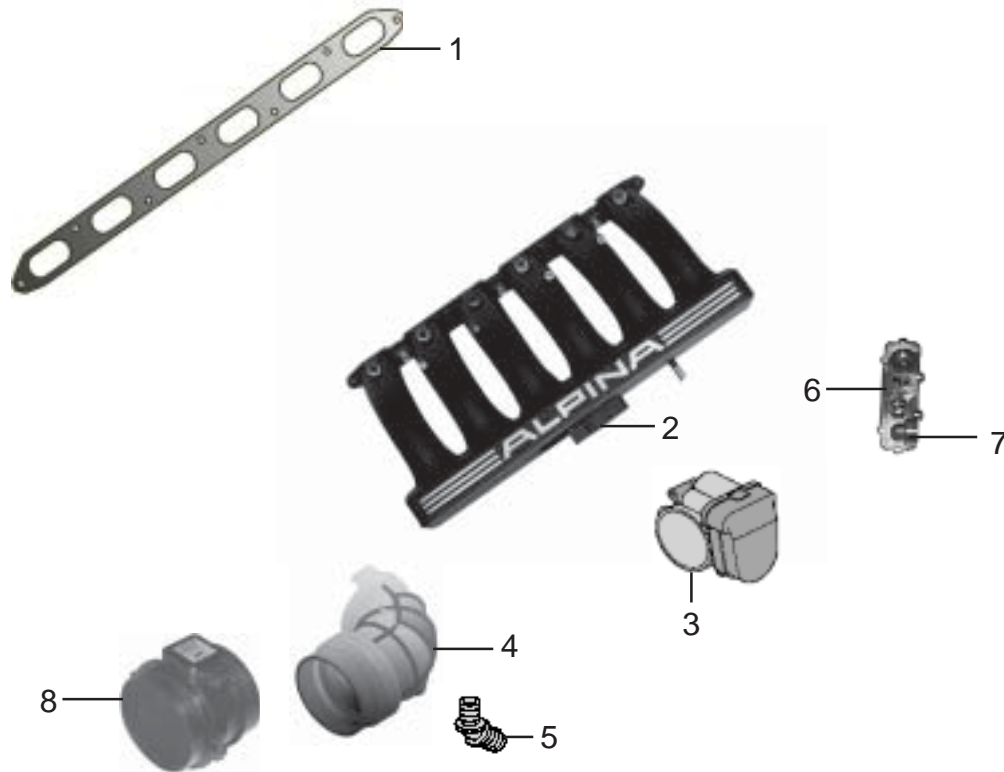
b)Attention: V-belt has to be put on the front groove/vibration damper, see dealer circular letter



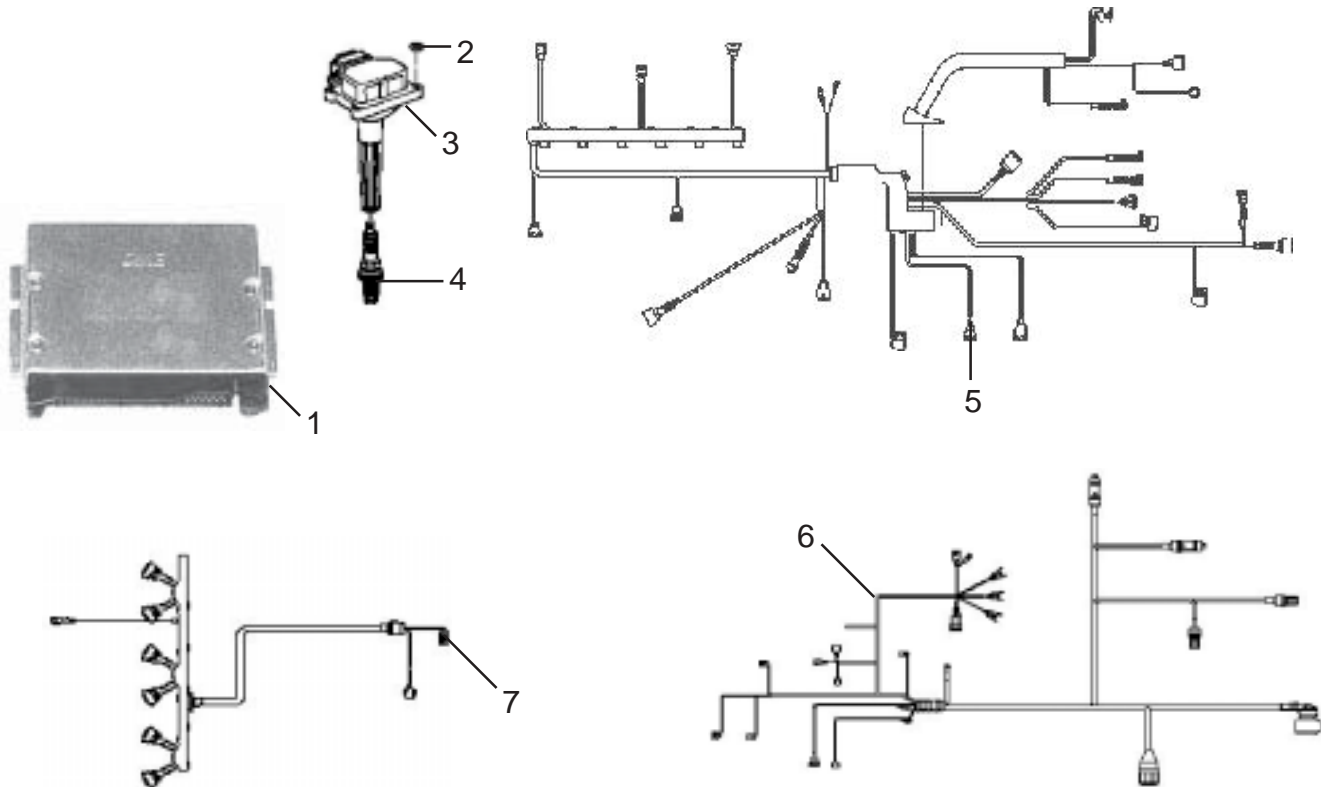
P O S	expression	part number	B3 S L	B3 S C	B3 S R	B3 S T	RL	A U T	R E M
1	cylinder head	11 12 117	1	1	1	1			
2	camshaft intake	11 31 121	1	1	1	1			
3	camshaft exhaust	11 31 122	1	1	1	1			
4	cylinder head gasket	11 12 123	1	1	1	1			
5	valve spring intake/exhaust	11 34 019	24	24	24	24			
6	lower spring pocket	11 34 1 403 612	24	24	24	24			
7	gasket	11 12 1 738 963	1	1	1	1			
8	flange water outlet	11 12 118	1	1	1	1			



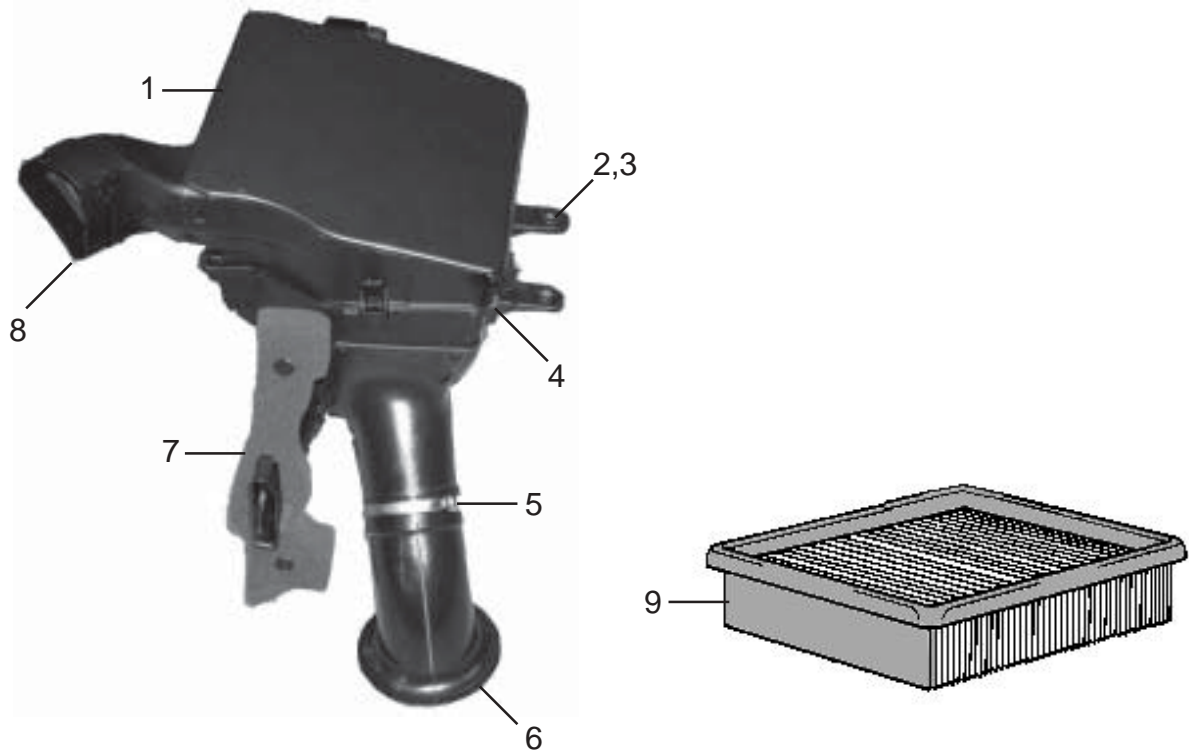
P O S	expression	part number	B3 S L	B3 S C	B3 S R	B3 S T	RL	A U T	R E M
1	return pipe	11 53 127	1	1	1	1			
2	coolant water hose	11 53 117	1	1	1	1			
3	thermostathousing with thermostat	11 53 0 139 877	1	1	1	1			
4	hexbolt with washer M8x30	11 53 1 740 316	1	1	1	1			
5	hexbolt with washer M6x25	11 53 1 740 317	3	3	3	3			



P O S	expression	part number	B3 S L	B3 S C	B3 S R	B3 S T	RL	A U T	R E M
1	gasket intake system	11 61 132	1	1	1	1			
2	intake system (without cover)	11 61 150	1	1	1	1			
	without pic.: hexnut with plate M7	07 12 9 902 630	7	7	7	7			
3	throttle housing assy.	13 54 1 435 959	1	1	1	1			
4	rubber bellows	13 70 190	1	1	1	1			
5	support	13 41 1 722 944	1	1	1	1			
6	cover intake system	11 61 129	1	1	1	1			
7	temperature sensor air	13 62 1 739 510	1	1	1	1			
8	hot-film air mass meter	13 62 1 438 871	1	1	1	1			



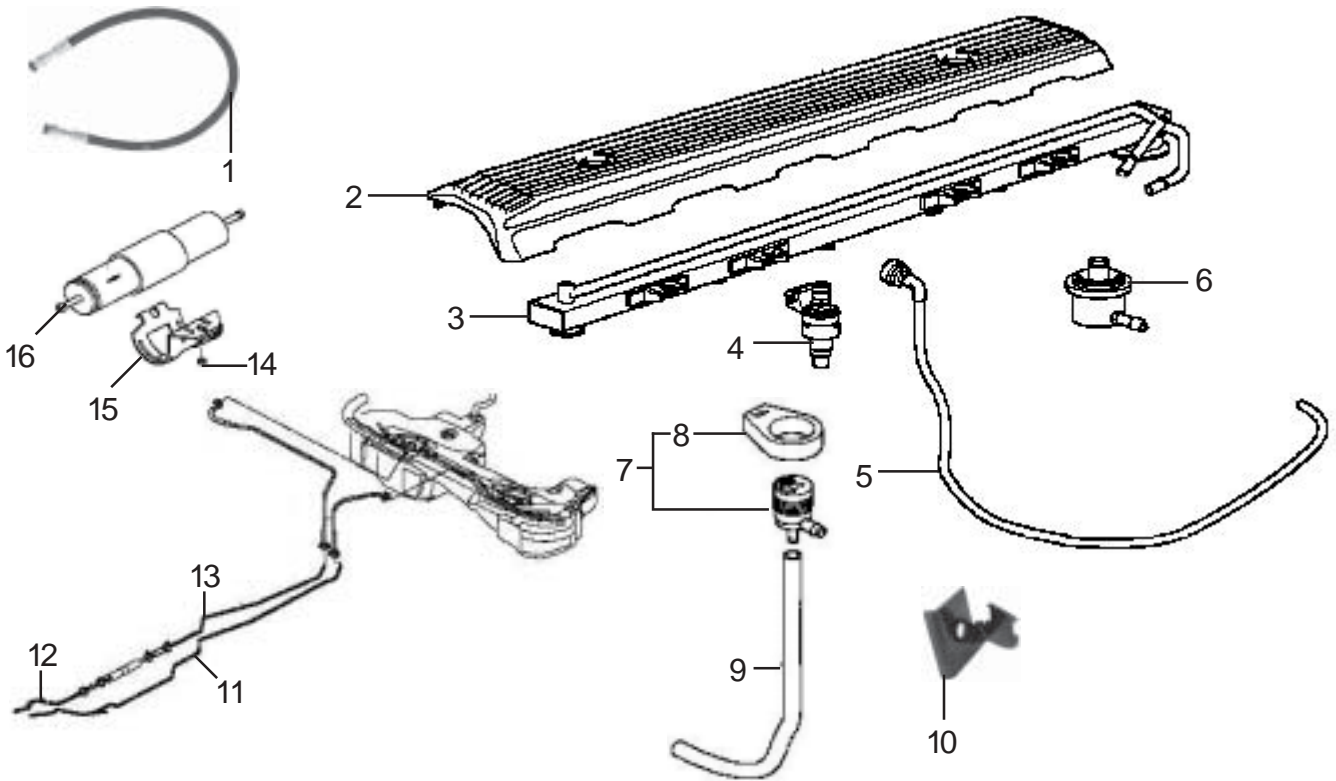
P O S	expression	part number	B3 S L	B3 S C	B3 S R	B3 S T	RL	A U T	R E M
1	control unit Motronic MS43	13 57 653	1	1	1	1			
1	control unit Motronic MS43	13 57 656	1	1	1	1	x		
2	hexnut M6	07 11 9 900 398	12	12	12	12			
3	ignition coil	12 13 1 748 017	6	6	6	6			
4	spark plug NGK BKR 6 EQUIP	12 12 9 071 003	6	6	6	6			
5	cable harness engine for engine E5	61 11 166	1	1	1	1			
6	cable harness transmission	12 51 1 439 995	1	1	1	1			
6	cable harness transmission	12 51 1 440 000	1	1	1	1		x	
7	cable harness ignition module	12 51 1 440 006	1	1	1	1			



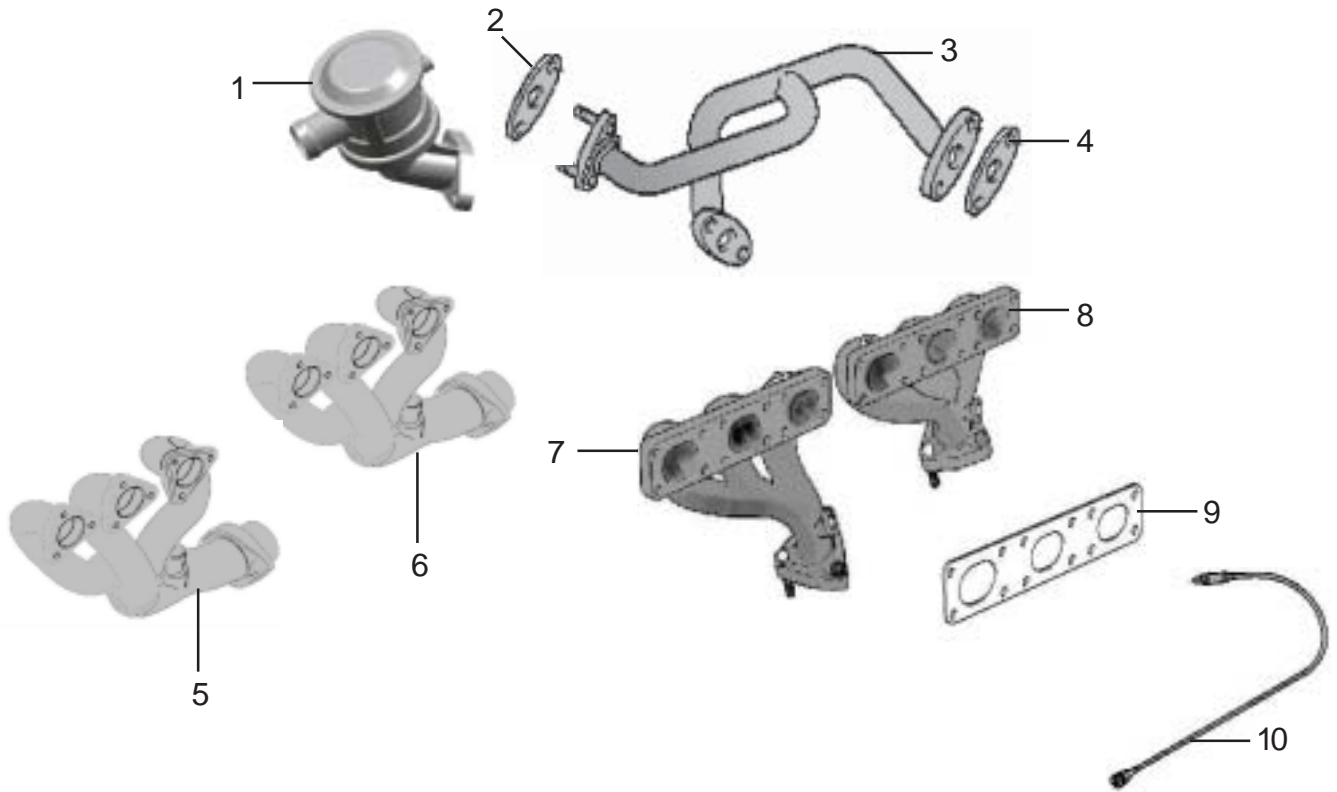
P O S	expression	part number	B3 S	B3 S	B3 S	B3 S	RL	A	R
			L	C	R	T		U	E
1	air filter box	13 70 205	1	1	1	1			
1	air filter box	13 70 207		1	1				a
1	air filter box	13 70 207	1			1			b
2	rubber grommet	13 71 1 702 508	2	2	2	2			
3	sleeve	13 71 1 438 765	2	2	2	2			
4	tensioner	13 71 9 071 752	5	5	5	5			
5	hose clamp	07 12 9 952 131	1	1	1	1			
6	intake trumpet	13 70 203	1	1	1	1			
7	air channel	13 71 7 501 974	1	1	1	1			
8	intake tube	13 71 7 509 118	1	1	1	1			
9	air filter element	13 72 1 730 946	1	1	1	1			

a) from 03/03, without position 5) and 6)

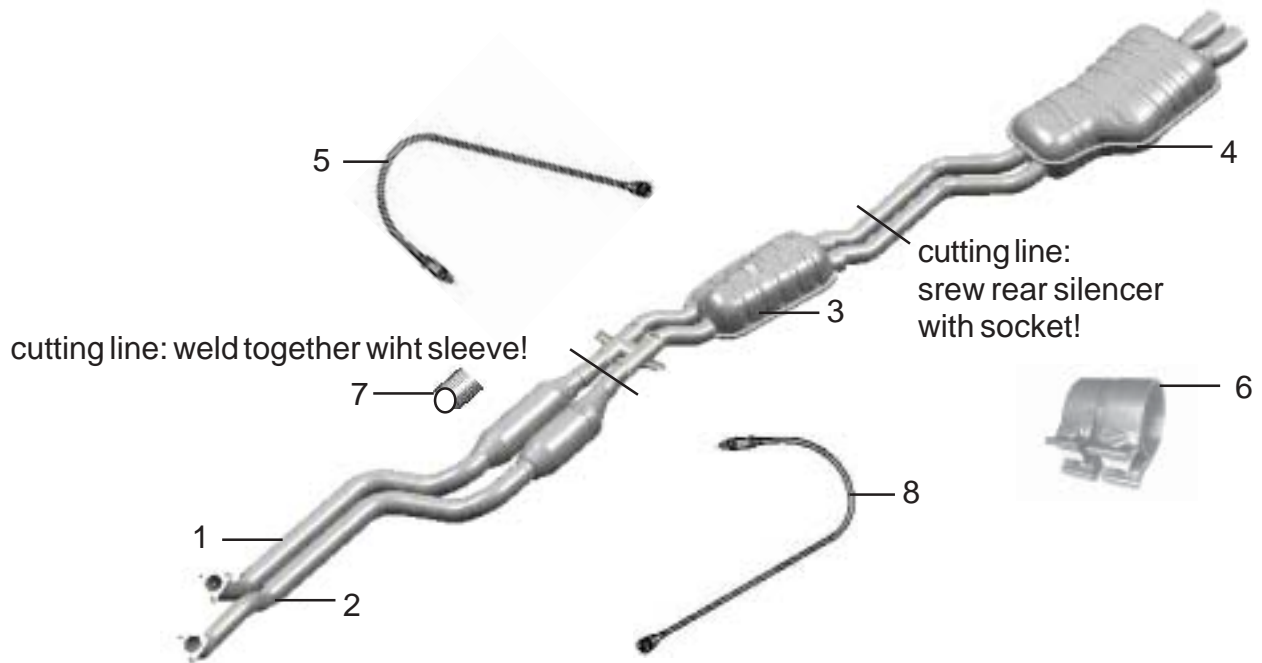
b) only in connection with adaptive light control, without position 5) and 6)



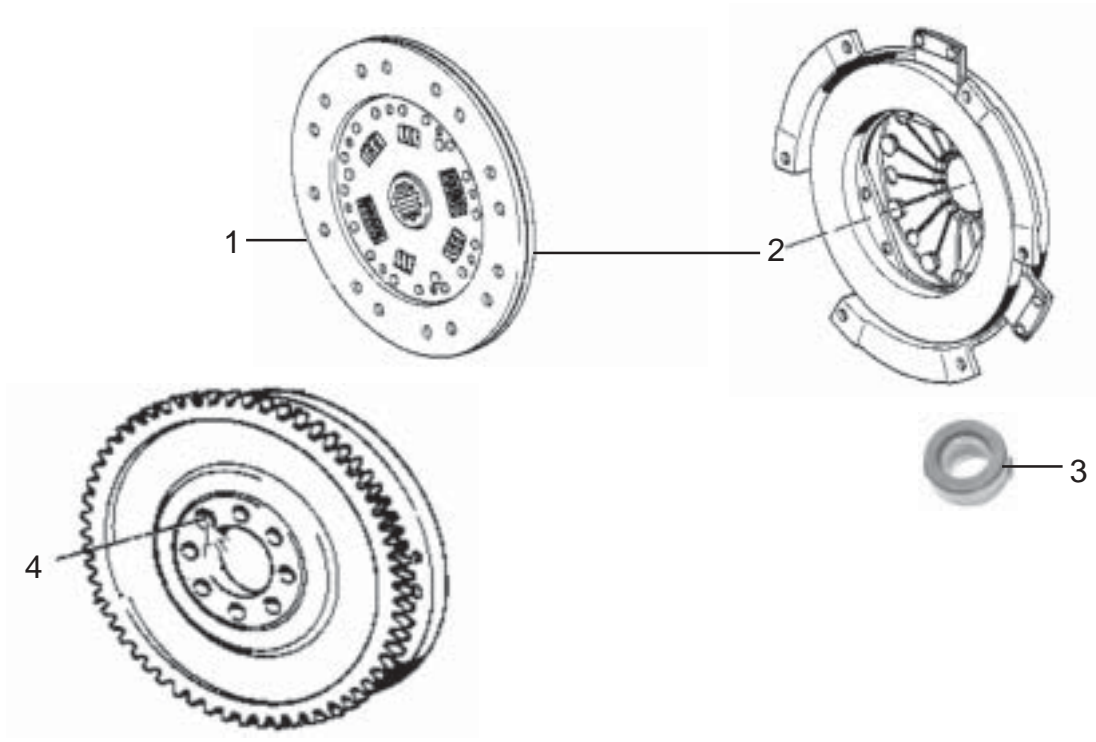
P O S	expression	part number	B3 S	B3 S	B3 S	B3 S	RL	A	R
			L	C	R	T		U	E
1	fuel hose	16 10 182	2	2	2	2			
2	cover injection tube	13 54 159	1	1	1	1			
3	injection tube	13 53 1 436 468	1	1	1	1			
4	injection valve	13 64 1 703 819	6	6	6	6			
5	vent pipe	13 90 1 437 611	1	1	1	1			
6	pressure regulator	13 53 1 436 110	1	1	1	1			
7	fuel tank breather valve	13 90 1 433 603	1	1	1	1			
8	bracket fuel tank breather valve	13 90 1 433 601	1	1	1	1			
9	fuel tank breather pipe	13 90 7 503 987	1	1	1	1			
10	bracket fuel tank breather valve	13 90 101	1	1	1	1			
11	fuel return pipe	16 12 1 183 768	1	1	1	1			
12	front fuel feed line	16 12 1 183 764	1	1	1	1			
13	rear fuel feed line	16 12 1 183 759	1	1	1	1			
14	hexnut with plate AM6	07 12 9 900 681	1	1	1	1			
15	bracket fuel filter	13 32 1 435 830	1	1	1	1			
16	fuel filter	13 32 1 740 985	1	1	1	1			



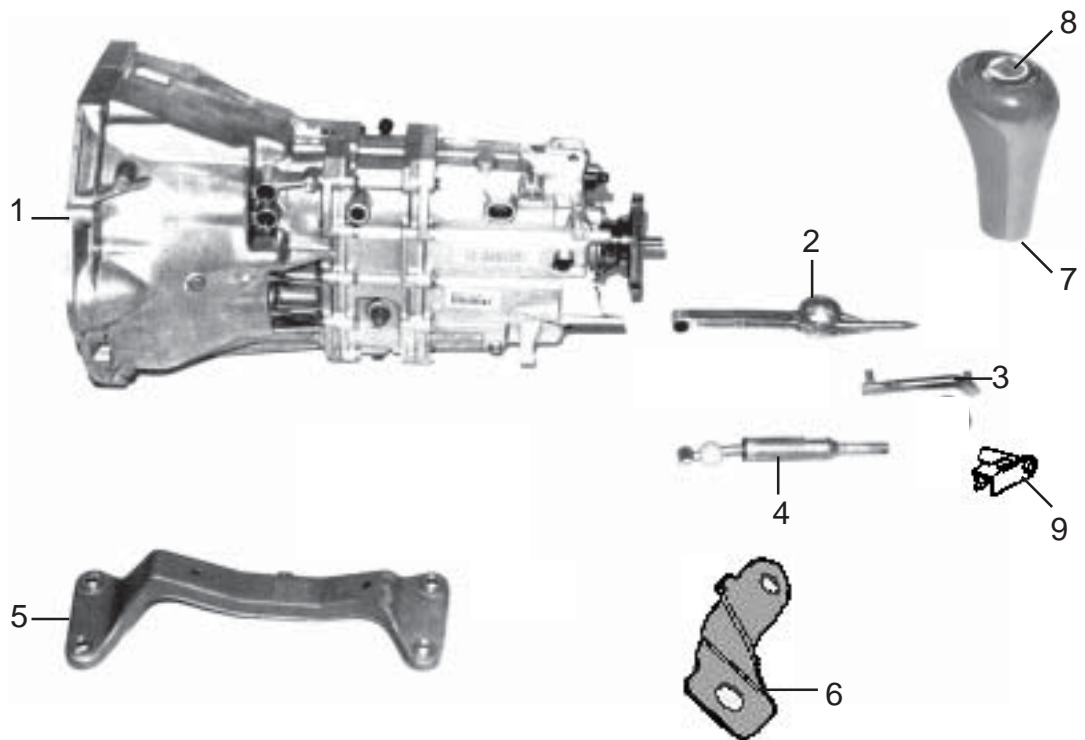
P O S	expression	part number	B3 S	B3 S	B3 S	B3 S	RL	A	R
			L	C	R	T		U	E
1	secondary air valve	18 10 236	1	1	1	1			
2	gasket	11 72 7 505 259	1	1	1	1			
3	secondary air pipe	18 10 283	1	1	1	1			
3	secondary air pipe	18 10 237	1	1	1	1	x		
4	gasket	11 72 1 435 367	4	4	4	4			
4	gasket	11 72 1 435 367	2	2	2	2	x		
5	high-performance manifold 1-3	18 10 281	1	1	1	1			
6	high-performance manifold 4-6	18 10 282	1	1	1	1			
7	exhaust manifold 1-3	18 10 289	1	1	1	1	x		
8	exhaust manifold 4-6	18 10 290	1	1	1	1	x		
9	gasket	11 62 1 744 252	2	2	2	2			
10	regulating lambda probe L=990mm	11 78 1 437 586	2	2	2	2			



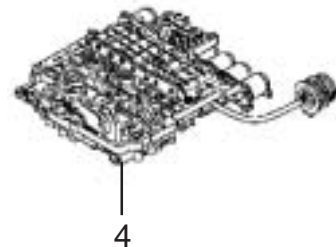
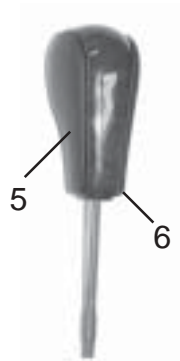
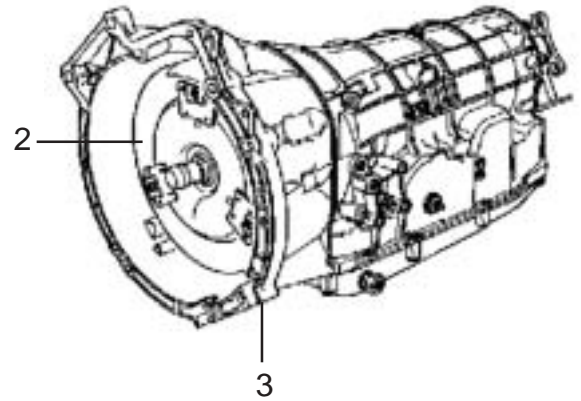
P O S	expression	part number	B3 S	B3 S	B3 S	B3 S	RL	A U T	R E M
			L	C	R	T			
1	exhaust tube catalyst 4-6	18 10 280	1	1	1	1			
2	exhaust tube catalyst 1-3	18 10 279	1	1	1	1			
3	central silencer	18 10 291	1	1	1	1			
4	rear silencer	18 10 292	1	1	1	1			
5	exhaust tube catalyst right L=990mm	11 78 1 433 940	1	1	1	1			
6	socket	18 20 1 742 073	2	2	2	2			
7	sleeve for welding	18 10 855	2	2	2	2			
8	exhaust tube catalyst left L=955mm	11 78 1 739 845	1	1	1	1			



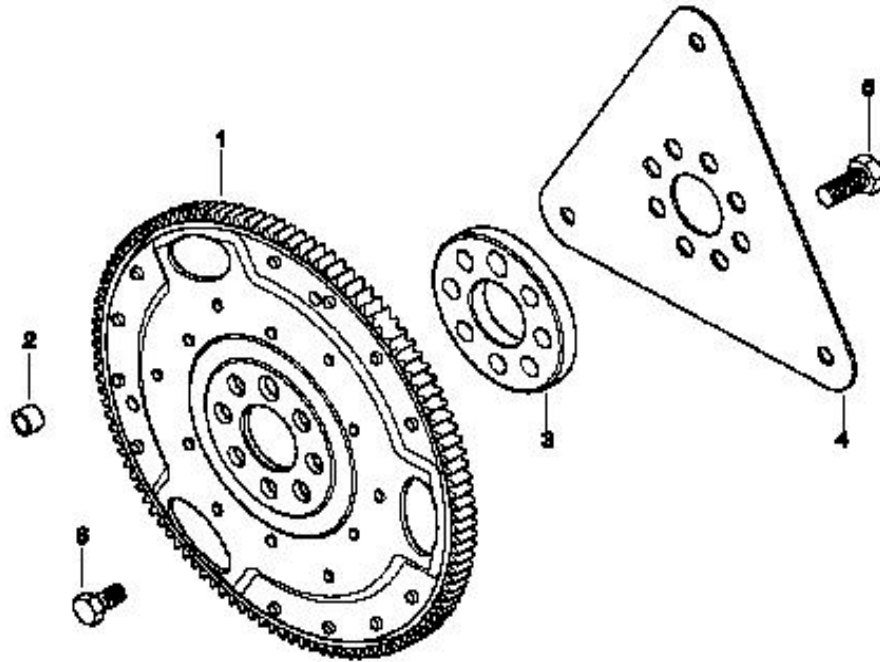
P O S	expression	part number	B3 S L	B3 S C	B3 S R	B3 S T	RL	A U T	R E M
1	exchange clutch disc for two mass flywheel	21 21 2 228 853	1	1	1	1			
2	set exchange cluch parts	21 21 2 282 667	1	1	1	1			
3	release bearing	21 51 1 223 582	1	1	1	1			
4	two mass flywheel	21 21 2 229 900	1	1	1	1			



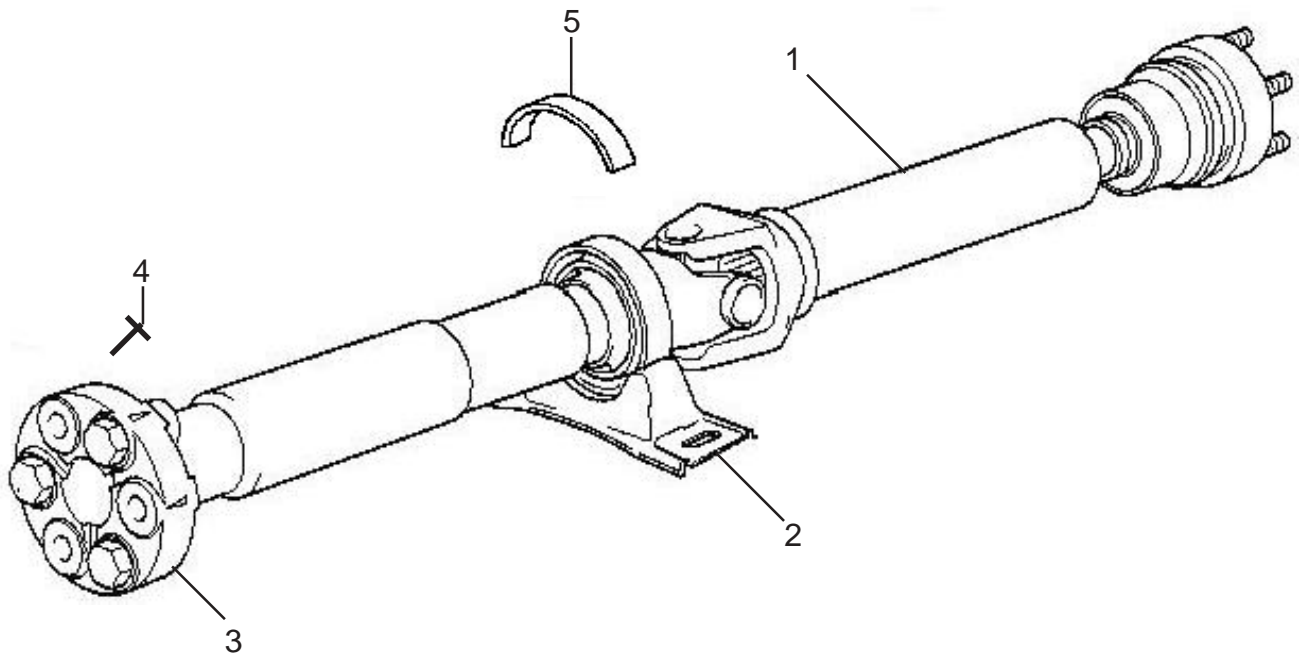
P O S	expression	part number	B3 S L	B3 S C	B3 S R	B3 S T	RL	A U T	R E M
1	exchange manual transmission S6S 420 G	23 00 2 229 721	1	1	1	1			
2	shifting arm	25 11 2 228 710	1	1	1	1			
3	selector rod	25 11 2 228 711	1	1	1	1			
4	shift lever	25 11 2 228 069	1	1	1	1			
5	gearbox crossrail	23 10 127	1	1	1	1			
6	bracket for clutch pipe	21 52 2 229 699	1	1	1	1			
7	shift lever leather/Alpina-noblewood w. emblem	51 43 766	1	1	1	1			
8	Alpina-emblem oval	51 00 267	1	1	1	1			
9	bearing pin	25 11 1 222 766	1	1	1	1			



P O S	expression	part number	B3 S L	B3 S C	B3 S R	B3 S T	RL	A U T	R E M
1	control unit automatic gearbox	24 10 644	1	1	1	1		x	
2	torque converter	24 10 111	1	1	1	1		x	
3	automatic gearbox (with converter)	24 10 109	1	1	1	1		x	
3	exchange-automatic gearbox (with converter)	24 10 109T	1	1	1	1		x	
4	valve body	24 34 7 509 530	1	1	1	1		x	
5	selector lever with noble wood	51 43 765	1	1	1	1		x	
6	noble wood	51 00 678	1	1	1	1		x	



P O S	expression	part number	B3 S L	B3 S C	B3 S R	B3 S T	RL	A U T	R E M
1	flywheel	11 22 7 508 000	1	1	1	1		x	
2	sleeve d=14,5mm	11 11 1 743 118	1	1	1	1		x	
3	spacer	11 22 1 710 038	1	1	1	1		x	
4	torque converter drive plate	24 40 1 216 837	1	1	1	1		x	
5	hexbolt M12x1,5x28	11 22 1 717 840	8	8	8	8		x	
6	hexbolt M10x17,5	24 00 1 421 067	3	3	3	3		x	



P O S	expression	part number	B3 S L	B3 S C	B3 S R	B3 S T	RL	A U T	R E M
1	drive shaft	26 10 121	1	1	1	1			
1	drive shaft	26 10 123	1	1	1	1		x	
2	central bearing	26 12 2 228 917	1	1	1	1			
2	central bearing	26 12 7 506 783	1	1	1	1		x	
3	disc joint	26 11 2 226 527	1	1	1	1			
3	disc joint	26 11 1 209 168	1	1	1	1		x	
4	hexbolt with plate M12x1,5x62	26 11 2 227 195	3	3	3	3			
5	butyl tape	26 12 7 511 140	1	1	1	1			



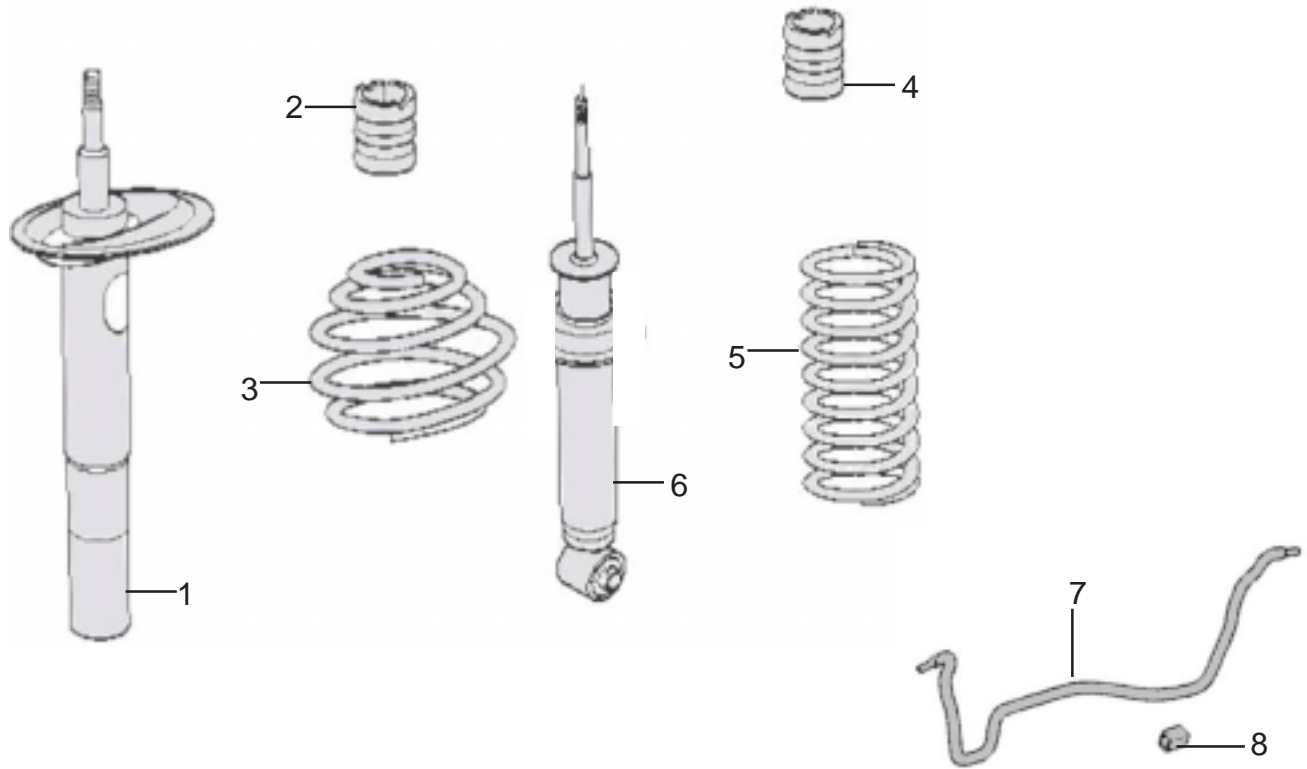
BMW ALPINA B3 S L,
B3 S C, B3 S R, B3 S T

suspension

as of
06/03

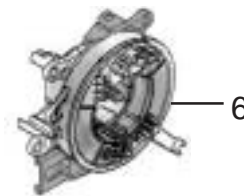
page
1

group
31 00



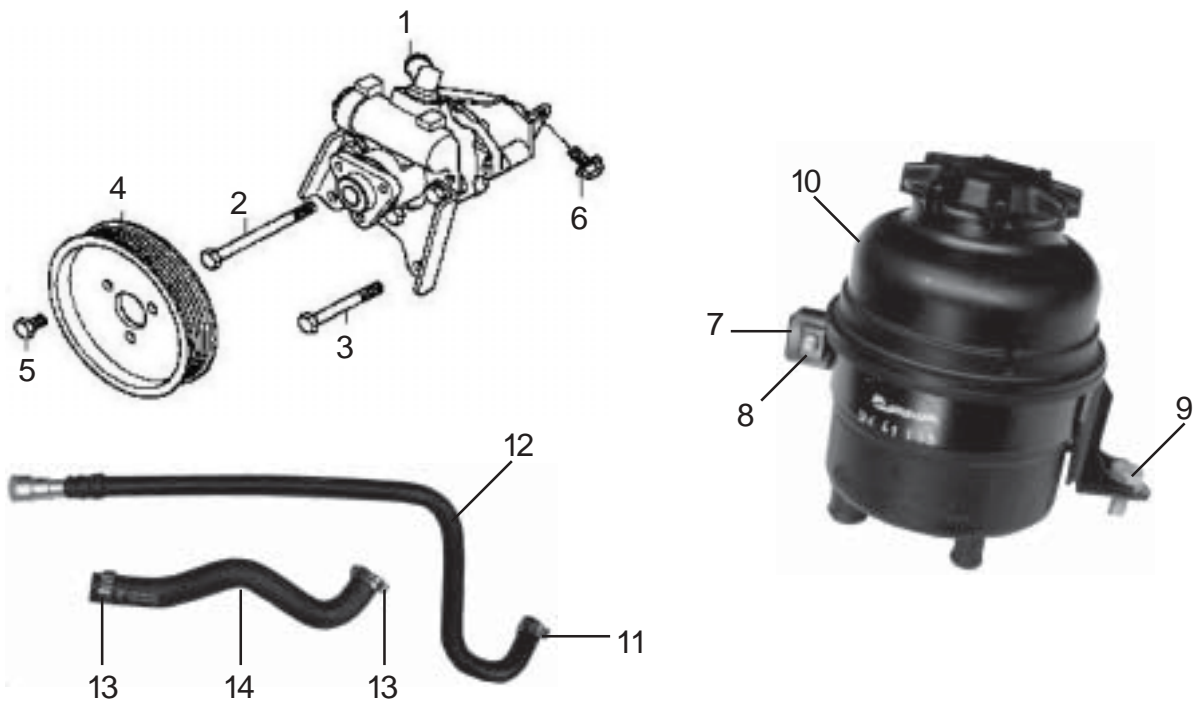
P O S	expression	part number	B3 S L	B3 S C	B3 S R	B3 S T	RL	A U T	R E M
1	suspension leg front left	31 31 163	1	1	1	1			
1	suspension leg front right	31 31 164	1	1	1	1			
2	dumper	31 33 1 138 814	2	2	2	2			
3	coil spring front	31 33 625	2	2	2	2			a
3	coil spring front	31 33 626	2	2	2	2			a
3	coil spring front	31 33 627	2	2	2	2			a
4	dumper	33 53 1 138 109	2	2	2	2			
5	barrel spring rear	33 53 112	2	2	2	2			a
5	barrel spring rear	33 53 113	2	2	2	2			a
5	barrel spring rear	33 53 114	2	2	2	2			a
5	barrel spring rear	33 53 115	2	2	2	2			a
6	shock absorber rear	33 52 121	2	2	2	2			AE
6	shock absorber rear	33 52 118	2	2	2	2			
7	stabiliser bar rear d=20mm	33 50 6 751 267	1	1	1	1			
8	rubber bearing rear stabiliser bar d=20mm	33 50 1 096 669	2	2	2	2			

a) depends on car, please indicate chassis number!



P O S	expression	part number	B3 S L	B3 S C	B3 S R	B3 S T	RL	A U T	R E M
1	steering wheel without double spoke	32 33 151	1	1	1	1		x	a
1	steering wheel without double spoke	32 33 150	1	1	1	1			a
2	steering wheel hub cushion airbag	32 33 149	1	1	1	1			
3	cover for 3-spoke steering wheel	32 33 123	1	1	1	1			b
4	cover ALPINA-noble wood for double spoke	32 33 124	1	1	1	1			
5	steering wheel for noble wood cover	32 33 153	1	1	1	1		x	a
5	steering wheel for noble wood cover	32 33 152	1	1	1	1			a
5	steering wheel for plastic cover	32 33 155	1	1	1	1		x	a
5	steering wheel for noble wood cover	32 33 154	1	1	1	1			a
6	support for steering column switch	61 31 8 379 091	1	1	1	1		x	
7	cable tree SWITCH-TRONIC	61 11 137	1	1	1	1		x	

a) seam green/blue, indicate other colour combination
b) rhombs green/blue, indicate other colour combination



P O S	expression	part number	B3 S L	B3 S C	B3 S R	B3 S T	RL	A U T	R E M
1	vanepump	analog 330i	1	1	1	1			
2	hexbolt with washer M8x100	07 11 9 901 788	1	1	1	1			
3	hexbolt with washer M8x70	07 11 9 900 265	1	1	1	1			
4	pulley d=131mm	32 42 1 740 858	1	1	1	1			
5	hexbolt with washer M8x14	07 11 9 901 793	3	3	3	3			
6	hexbolt with washer M8x18	07 11 9 900 498	1	1	1	1			
7	bracket oil carrier	32 41 115	1	1	1	1			
8	hexbolt with washer M6x16	07 11 9 900 250	1	1	1	1			
9	hexbolt with washer M8x18	07 11 9 900 498	2	2	2	2			
10	oil carrier	32 41 1 097 164	1	1	1	1			
11	clamp	32 41 6 751 127	1	1	1	1			
12	hose	32 41 117	1	1	1	1			
13	clamp	32 41 6 751 128	2	2	2	2			
14	hose	32 41 2 229 369	1	1	1	1			



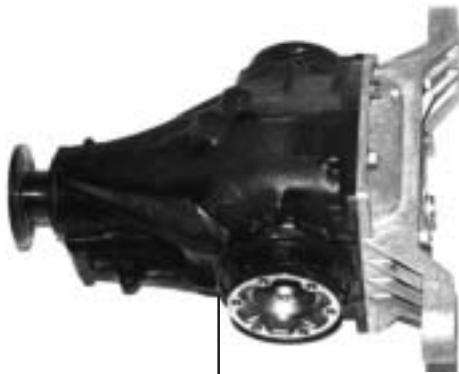
BMW ALPINA B3 S L,
B3 S C, B3 S R, B3 S T

rear axle

as of
06/03

page
1

group
33 10



1



2

P O S	expression	part number	B3 S L	B3 S C	B3 S R	B3 S T	RL	A U T	R E M
1	exchange rear axle type 215K 3,15	33 10 146	1	1	1	1			
1	exchange rear axle type 215K 3,64	33 10 147	1	1	1	1		x	
2	cover activated-carbon filter	51 71 109	1	1		1			
2	cover activated-carbon filter	51 71 112			1				



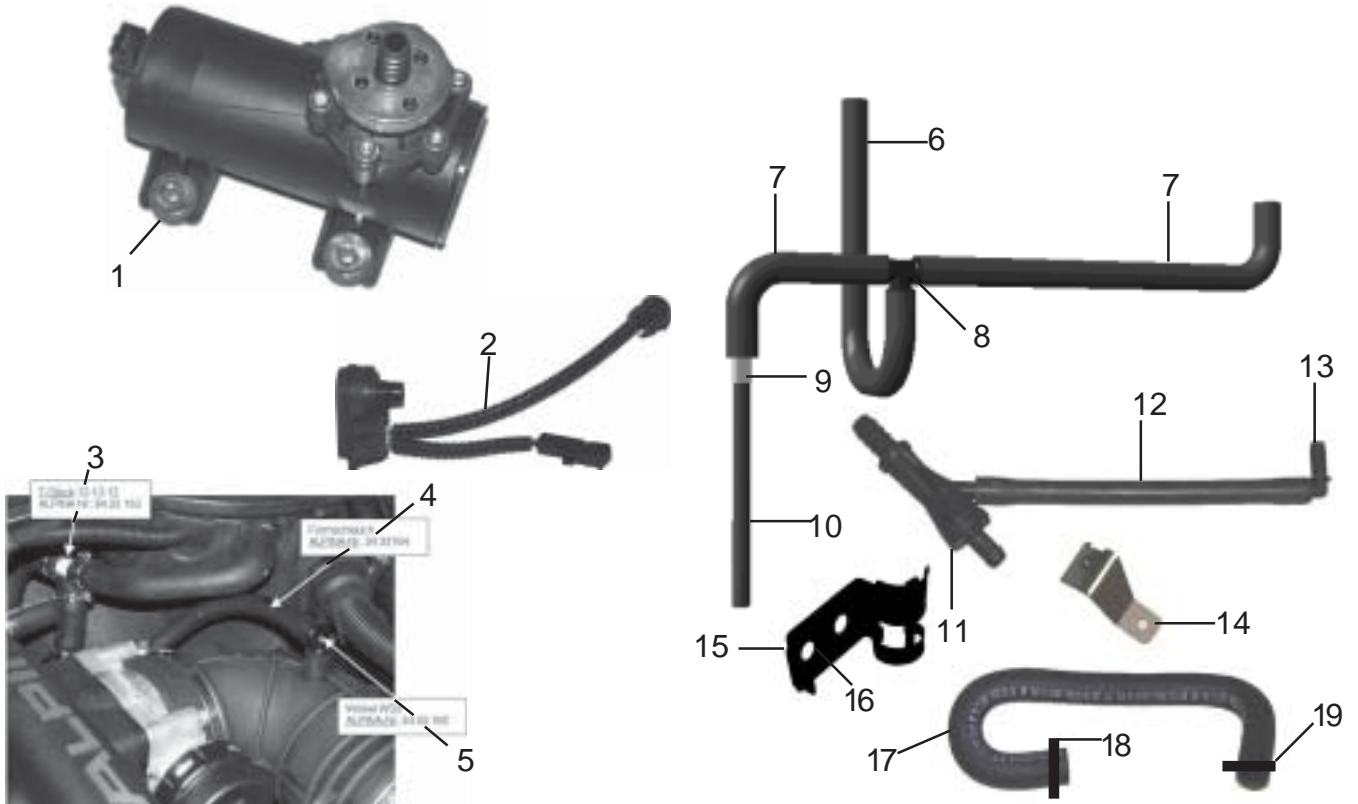
BMW ALPINA B3 S L,
B3 S C, B3 S R, B3 S T

vacuum pump

as of
06/03

page
1

group
34 33



P O S	expression	part number	B3 S	B3 S	B3 S	B3 S	RL	A	R
			L	C	R	T		U	E
1	vacuum pump	34 33 129	1	1	1	1		x	
2	time/pressure switch	34 33 137	1	1	1	1		x	
3	connecting pipe	34 33 162	1	1	1	1		x	
4	hose	34 33 164	1	1	1	1		x	
5	angle bracket WS8	34 33 165	1	1	1	1		x	
6	hose	13 90 1 433 677	1	1	1	1			
7	hose	13 90 1 433 676	2	2	2	2			
8	distribution piece	13 53 1 427 071	1	1	1	1			
9	reduction piece GRS 8-4	11 72 113	1	1	1	1			
10	vacuum hose	51 73 1 257 971	1	1	1	1			
11	suction pump	34 33 166	1	1	1	1			
12	hose	34 33 164	1	1	1	1			
13	angle bracket	34 33 165	1	1	1	1			
14	bracket suction pump	34 33 155	1	1	1	1			
15	bracket suction pump	11 61 7 502 287	1	1	1	1			
16	bolt	11 61 1 708 274	1	1	1	1			
17	vacuum hose	34 33 153	1	1	1	1			
18	clamp	11 15 1 726 339	1	1	1	1			
19	clamp	11 15 1 726 340	1	1	1	1			



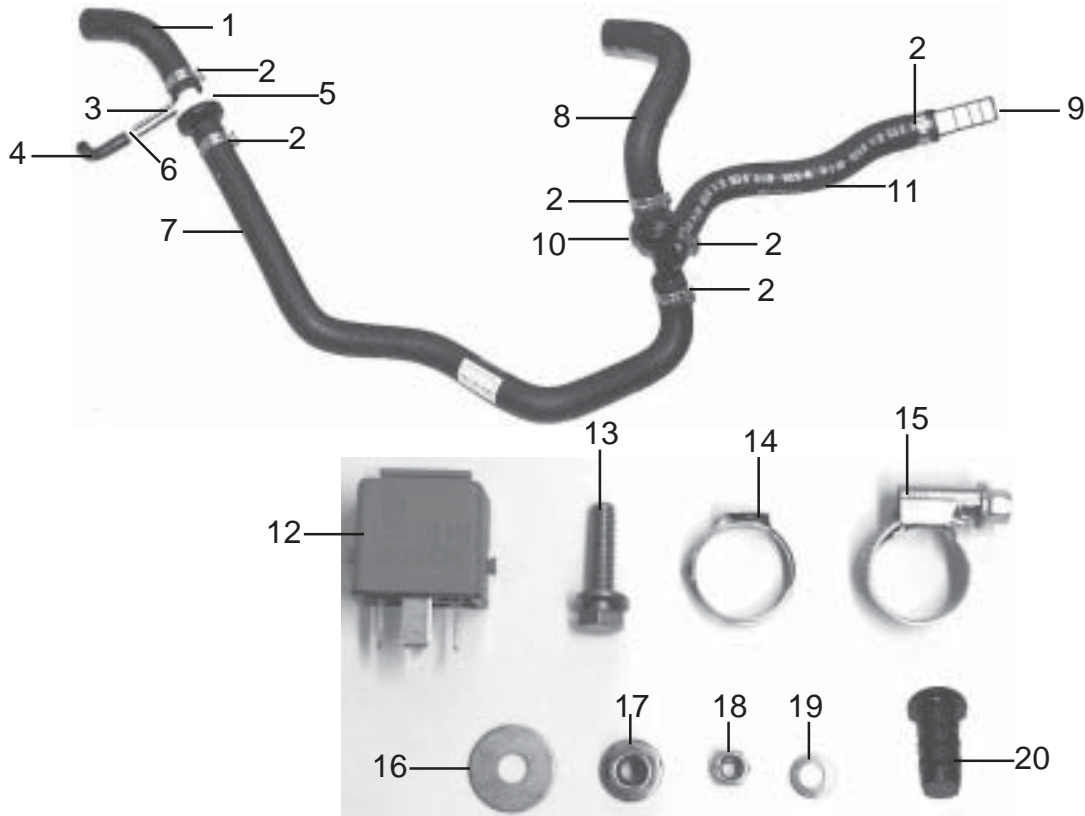
BMW ALPINA B3 S L,
B3 S C, B3 S R, B3 S T

vacuum pump

as of
06/03

page
2

group
34 33



P O S	expression	part number	B3 S	B3 S	B3 S	B3 S	RL	A U T	R E M
			L	C	R	T			
1	hose	34 33 144	1	1	1	1			x
2	clamp	11 15 1 726 339	6	6	6	6			x
3	hose L=30	34 33 140	1	1	1	1			x
4	angle hose 90°	34 33 141	1	1	1	1			x
5	connecting piece 12-4-12	34 33 139	1	1	1	1			x
6	connecting piece 4x4	34 33 146	1	1	1	1			x
7	hose	34 33 145	1	1	1	1			x
8	hose	34 33 136	1	1	1	1			x
9	connecting piece 12x12	34 33 147	1	1	1	1			x
10	back-pressure valve	34 33 138	1	1	1	1			x
11	hose	34 33 135	1	1	1	1			x
12	relay	61 36 1 378 238	1	1	1	1			x
13	bolt M6x25 Z1	07 11 9 913 110	3	3	3	3			x
13	hexbolt	07 11 9 915 039	1	1	1	1			x
14	hose clamp 21,3	11 15 1 726 339	3	3	3	3			x
15	hose clamp 12-20	07 40 001	1	1	1	1			x
16	washer 6x20	07 33 103	3	3	3	3			x
17	hexnut M6	34 41 1 152 614	2	2	2	2			x
18	hexnut M5	07 31 002	1	1	1	1			x
19	washer A5 DIN125	07 33 003	1	1	1	1			x
20	plug	34 33 142	1	1	1	1			x



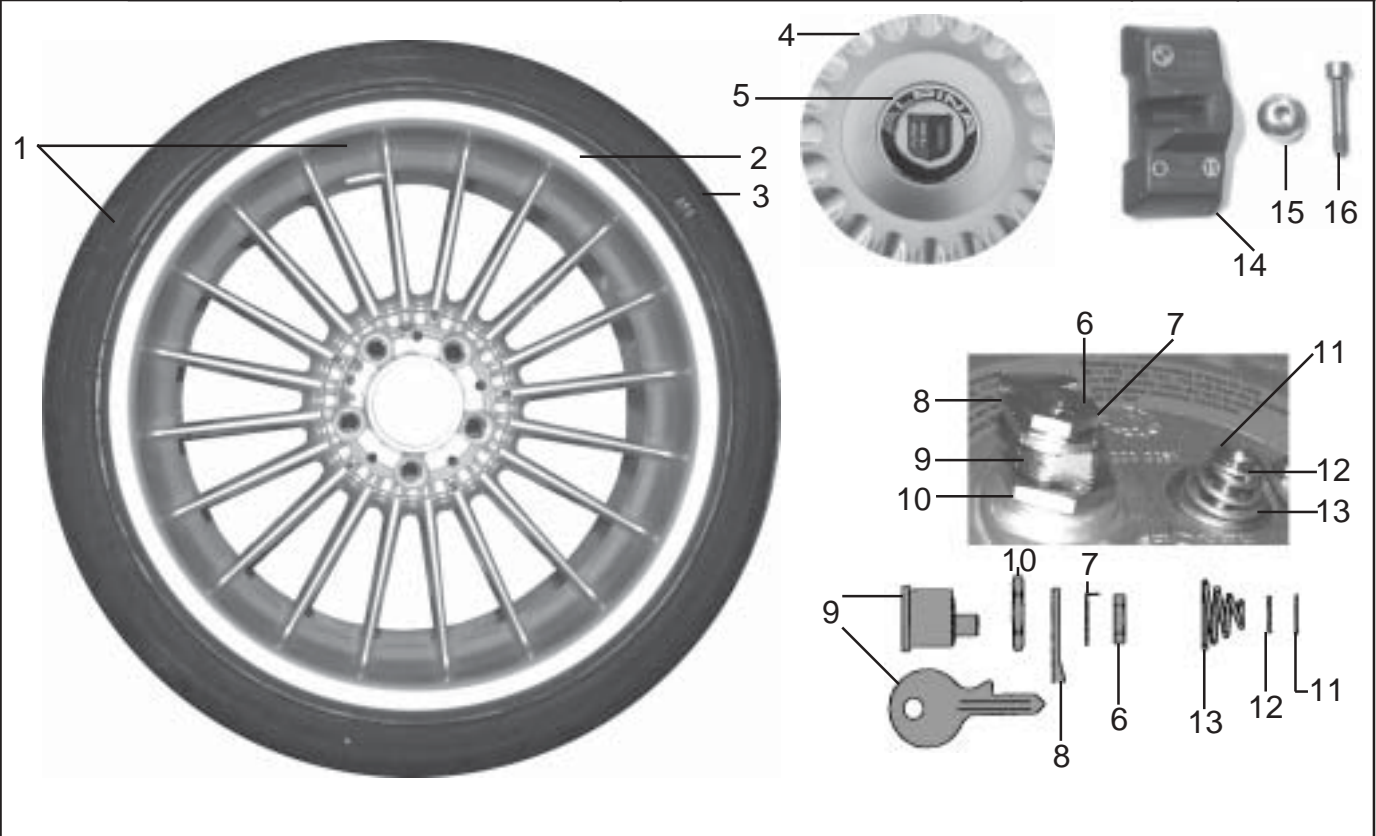
BMW ALPINA B3 S L,
B3 S C, B3 S R, B3 S T

alloy wheels-
"Styling II"

as of
06/03

page
1

group
36 12



P O S	expression	part number	B3 S	B3 S	B3 S	B3 S	RL	A	R
			L	C	R	T		U	E
1	alloy wheel 8 x 18" with 225/40 ZR 18 Pilot FL	36 12 647	1	1	1	1			a
1	alloy wheel 8 x 18" with 225/40 ZR 18 Pilot FR	36 12 648	1	1	1	1			a
1	alloy wheel 9 x 18" with 255/35 ZR 18 Pilot RL	36 12 649	1	1	1	1			a
1	alloy wheel 9 x 18" with 255/35 ZR 18 Pilot RR	36 12 650	1	1	1	1			a
1	alloy wheel 8 x 18" with 225/40 ZR 18 Pilot FL	36 12 651	1	1	1	1			a,b
1	alloy wheel 8 x 18" with 225/40 ZR 18 Pilot FR	36 12 652	1	1	1	1			a,b
1	alloy wheel 9 x 18" with 255/35 ZR 18 Pilot RL	36 12 653	1	1	1	1			a,b
1	alloy wheel 9 x 18" with 255/35 ZR 18 Pilot RR	36 12 654	1	1	1	1			a,b
2	alloy rim 8 x 18"	36 11 181	2	2	2	2			
2	alloy rim 9 x 18"	36 11 182	2	2	2	2			
3	tyre Michelin Pilot Sport 225/40 ZR 18	36 12 193	2	2	2	2			
3	tyre Michelin Pilot Sport 255/35 ZR 18	36 12 194	2	2	2	2			
4	cover complete	36 10 064	4	4	4	4			
5	ALPINA-emblem with support	36 13 117	4	4	4	4			
6	nut SW12	36 13 123	4	4	4	4			
7	locking plate	36 13 122	4	4	4	4			
8	locking lever	36 13 120	4	4	4	4			
9	set lock with nut without locking lever	36 13 119	1	1	1	1			
10	nut SW19	36 13 121	4	4	4	4			
11	locking plate DIN 6799 D4 VA	36 13 125	4	4	4	4			
12	washer A5 DIN 125 VA	07 33 008	4	4	4	4			
13	spring	36 13 124	4	4	4	4			
14	wheel electronics module RDC 433 MHz	36 14 6 752 128	4	4	4	4			
15	centering globe RDC module	36 10 062	4	4	4	4			
16	bolt M5x25	36 10 063	4	4	4	4			

a) Attention:directional tyre!
b) with RDC 433MHz



BMW ALPINA B3 S L,
B3 S C, B3 S R, B3 S T

emergency wheel

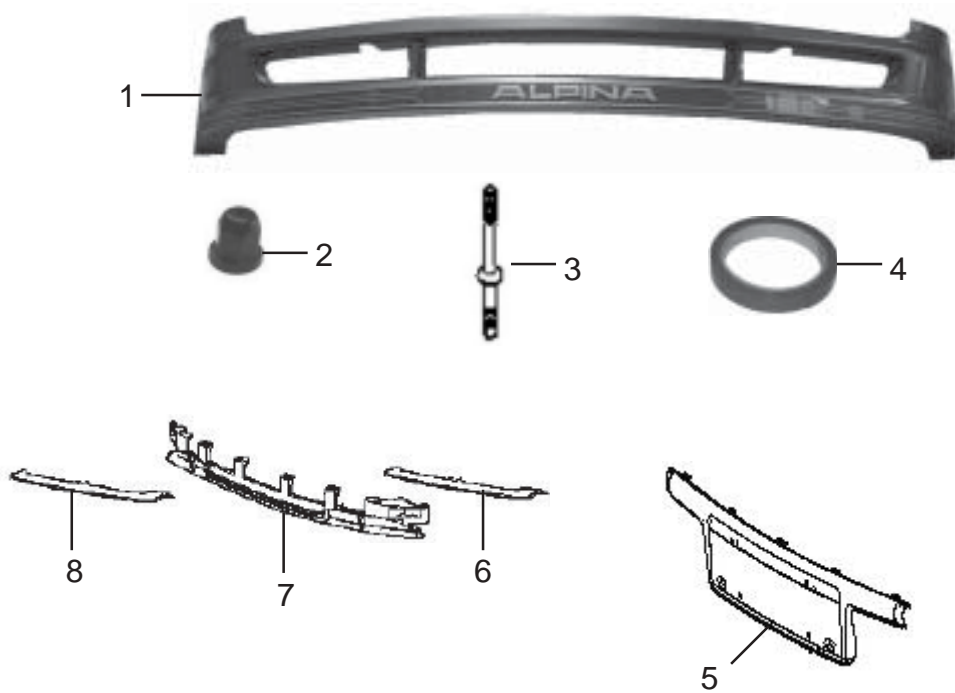
as of
06/03

page
1

group
36 11



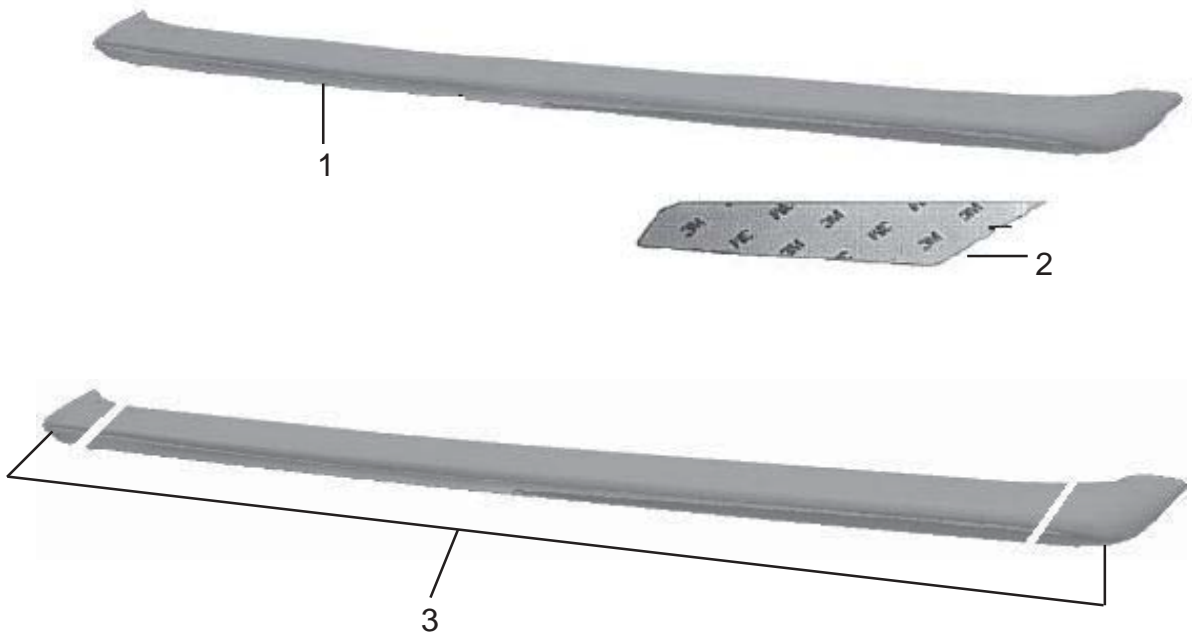
P O S	expression	part number	B3 S L	B3 S C	B3 S R	B3 S T	RL	A U T	R E M
1	steel emergency rim	36 11 6 750 007	1	1	1	1			
2	trunk tray emergency wheel	71 11 1 094 912	1	1	1	1			



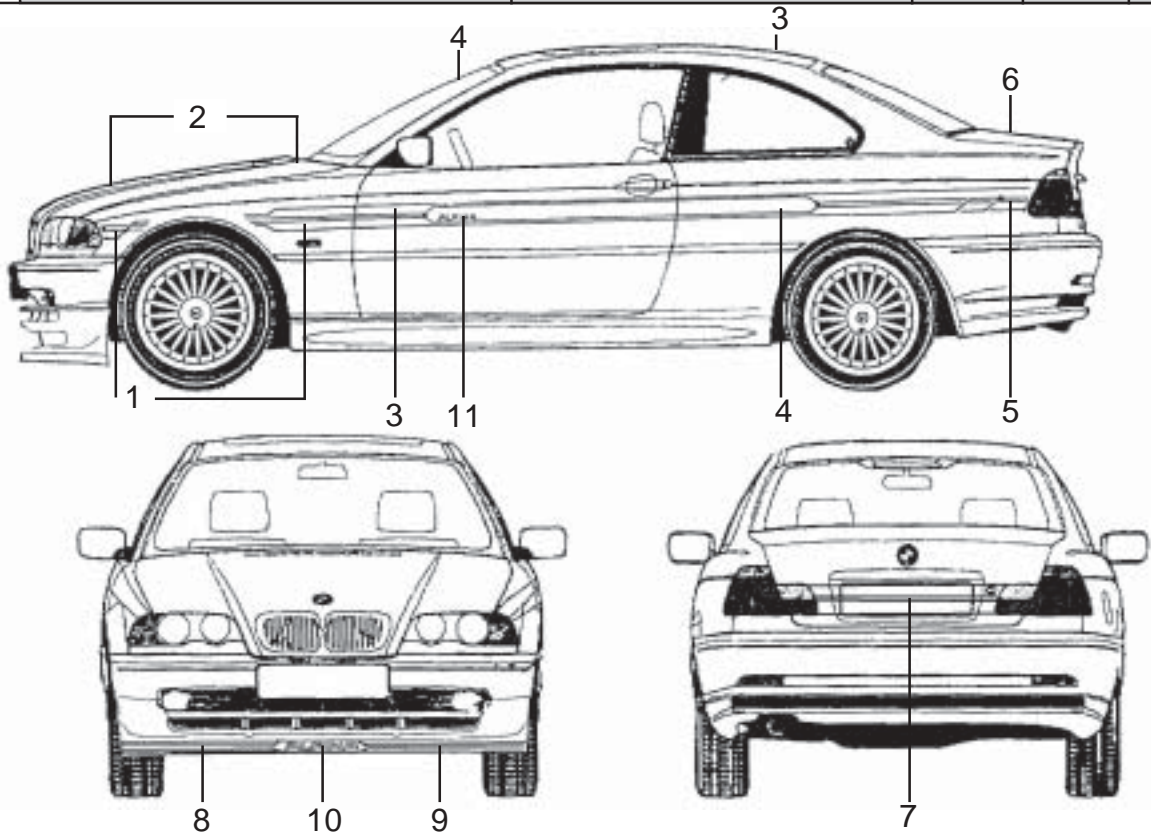
P O S	expression	part number	B3 S L	B3 S C	B3 S R	B3 S T	RL	A U T	R E M
1	front spoiler type 509	41 00 510		1	1				a
1	front spoiler type 532	41 00 533		1	1				b
1	front spoiler type 526	41 00 527	1			1			
2	cab nut M4	41 00 158	2	2	2	2			
3	bolt 7 x 97	41 00 503	2			2			
4	adhesive tape 0,8mm	41 00 501	x	x	x	x			
5	number plate support	51 00 158	1			1			c
6	open grid left	51 11 7 043 495	1			1			
7	grid bumper front	51 11 7 030 595	1			1			
8	partially open grid right	51 11 7 043 496	1			1			

a) up to 03/03
b) from 03/03

c) only Japan



P O S	expression	part number	B3 S L	B3 S C	B3 S R	B3 S T	RL	A U T	R E M
1	rear spoiler type 195	41 00 196	1						
1	rear spoiler type 511	41 00 512		1					
2	set protection film	41 00 197	1	1					
3	set rear spoiler	41 00 516			1				



P O S	expression	part number	B3 S	B3 S	B3 S	B3 S	RL	A	R
			L	C	R	T		U	E
1	rhomb front left gold	41 00 247	1	1	1	1			
1	rhomb front left silber	41 00 253	1	1	1	1			
2	rhomb front right gold	41 00 246	1	1	1	1			
2	rhomb front right silber	41 00 252	1	1	1	1			
3	rhomb door FL + RR gold	41 00 249	1	1	1	1			
3	rhomb door FL + RR silber	41 00 255	1	1	1	1			
4	rhomb door FR + RL gold	41 00 248	1	1	1	1			
4	rhomb door FR + RL silber	41 00 254	1	1	1	1			
5	rhomb rear left gold	41 00 251	1	1	1	1			
5	rhomb rear left silber	41 00 257	1	1	1	1			
6	rhomb rear right gold	41 00 250	1	1	1	1			
6	rhomb rear right silber	41 00 256	1	1	1	1			
7	rhomb rear gold	41 00 262	1	1	1	1			
7	rhomb rear silber	41 00 263	1	1	1	1			
8	rhomb right gold	41 00 310	1	1	1	1			
8	rhomb right gold	41 00 334		1	1				a
8	rhomb right silber	41 00 312	1	1	1	1			
8	rhomb right silber	41 00 336		1	1				a
9	rhomb left gold	41 00 311	1	1	1	1			
9	rhomb left gold	41 00 335		1	1				a
9	rhomb left silber	41 00 313	1	1	1	1			
9	rhomb left silber	41 00 337		1	1				a
10	sign "ALPINA" gold 300mm	51 00 035	1	1	1	1			
10	sign "ALPINA" silber 300mm	51 00 013	1	1	1	1			
11	sign "ALPINA" gold 132mm	51 00 064	2	2	2	2			
11	sign "ALPINA" silber 132mm	51 00 065	2	2	2	2			

a) from 03/03



1



2



4

5

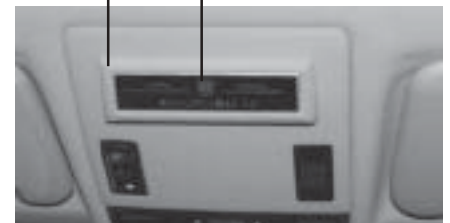


6

7

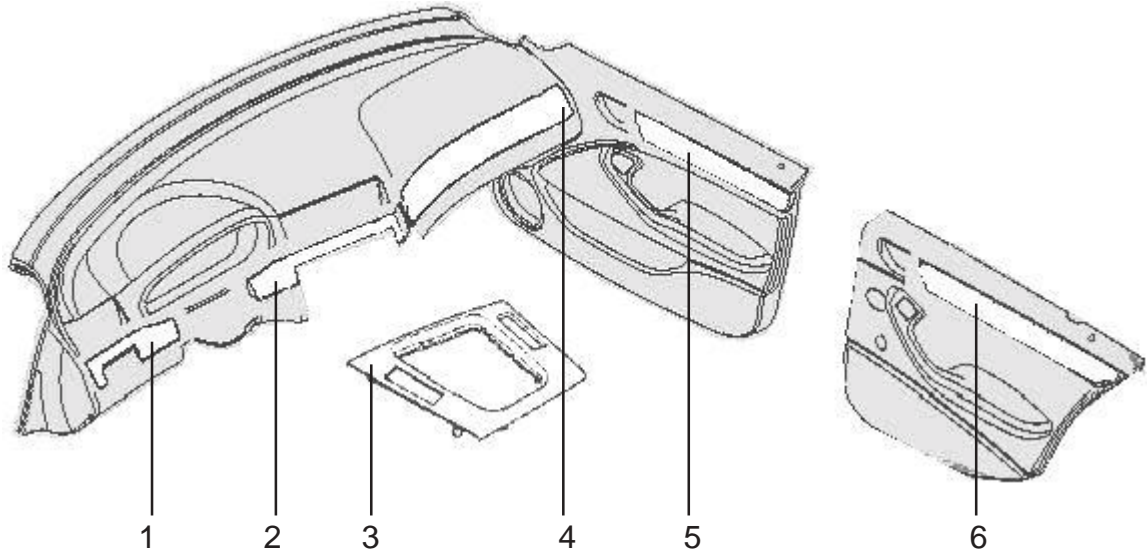


3

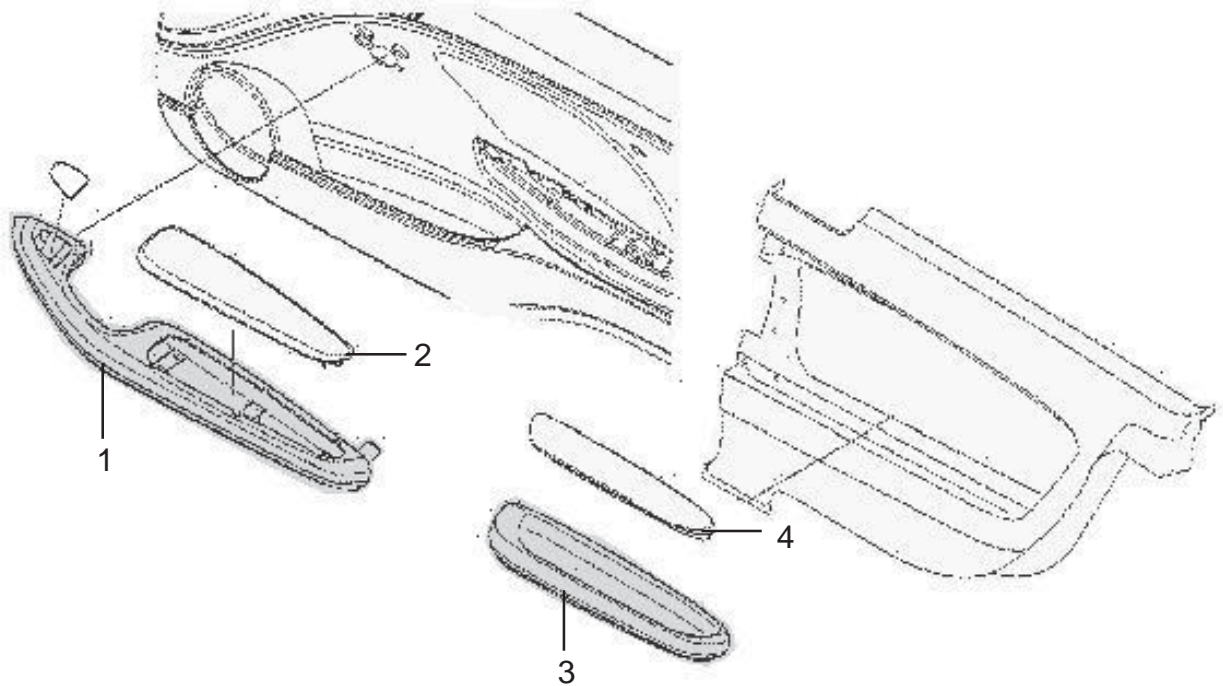


P O S	expression	part number	B3 S L	B3 S C	B3 S R	B3 S T	RL	A U T	R E M
1	ALPINA emblem chrome (cambered)	51 00 262	1	1	1				
1	ALPINA emblem chrome (flat)	51 00 246				1			
2	emblem B3 S (cambered)	51 00 275	1	1	1				
2	emblem B3 S (flat)	51 00 276				1			
3	door sill trim left	51 47 111	1			1			
3	door sill trim left	51 47 117		1	1				
3	door sill trim right	51 47 112	1			1			
3	door sill trim right	51 47 116		1	1				
4	production plate support grey	51 00 688	1	1		1			a,b
4	production plate support grey	51 00 708		1					b
4	production plate support black	51 00 157			1				
5	production plate B3 S	76 00 308	1						
5	production plate B3 S Coupé	76 00 309		1					
5	production plate B3 S Cabrio	76 00 310			1				
5	production plate B3 S Touring	76 00 311				1			
6	rivet	51 71 1 936 929	2	2		2			
7	spring cab	51 00 706	2	2		2			

a) B3 S Coupé without sun roof!
b) indicate colour: grey, black, beige

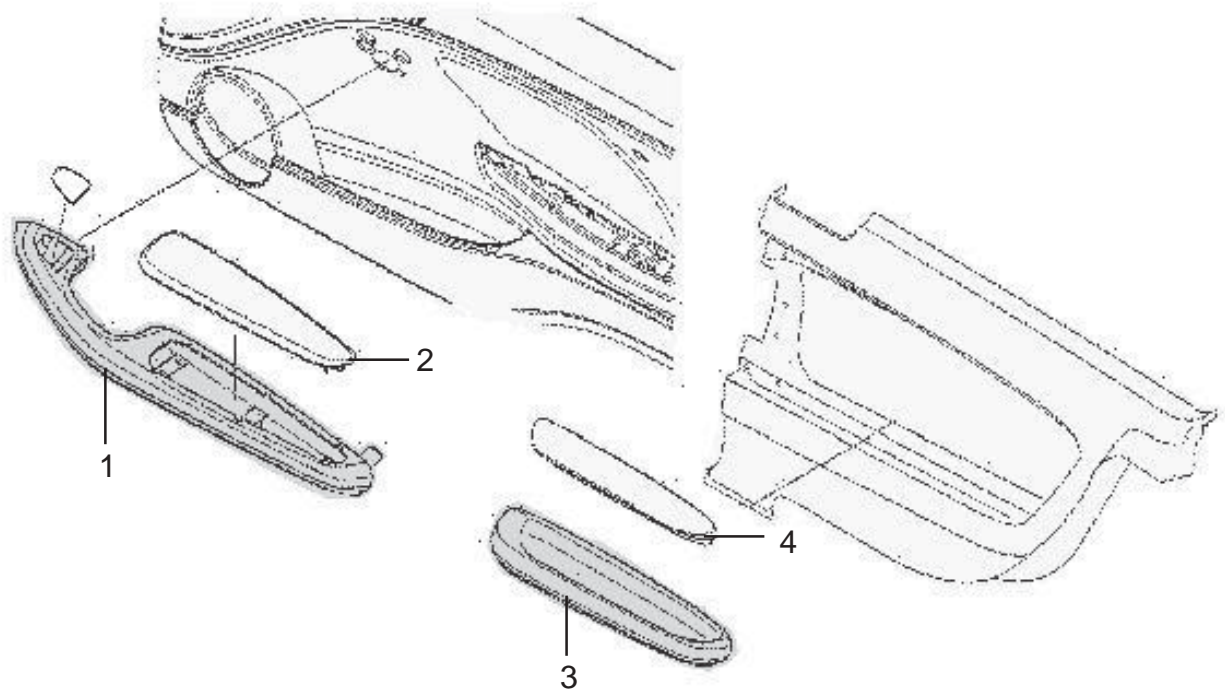


P O S	expression	part number	B3 S	B3 S	B3 S	B3 S	RL	A	R
			L	C	R	T		U	E
S								T	M
1	noble wood dashboard left	51 45 116	1	1	1	1			
1	noble wood dashboard right	51 45 121	1	1	1	1	x		
2	noble wood dashboard without RDC-switch	51 45 118	1	1	1	1			
2	noble wood dashboard without RDC-switch	51 45 122	1	1	1	1	x		
2	noble wood dashboard for RDC-switch	51 45 119	1	1	1	1			
2	noble wood dashboard for RDC-switch	51 45 123	1	1	1	1	x		
3	shift console 3+2 cutout	51 00 141	1		1	1			
3	shift console 2+2 cutout	51 00 142		1					
3	shift console 3+2 cutout	51 00 145	1		1	1	x		
3	shift console 2+2 cutout	51 00 146		1			x		
4	noble wood dashboard left	51 45 117	1	1	1	1			
4	noble wood dashboard right	51 45 120	1	1	1	1	x		
5	noble wood door FL	51 41 107	1			1			
5	noble wood door FR	51 41 108	1			1			
6	noble wood door RL	51 42 215	1			1			
6	noble wood door RR	51 42 216	1			1			



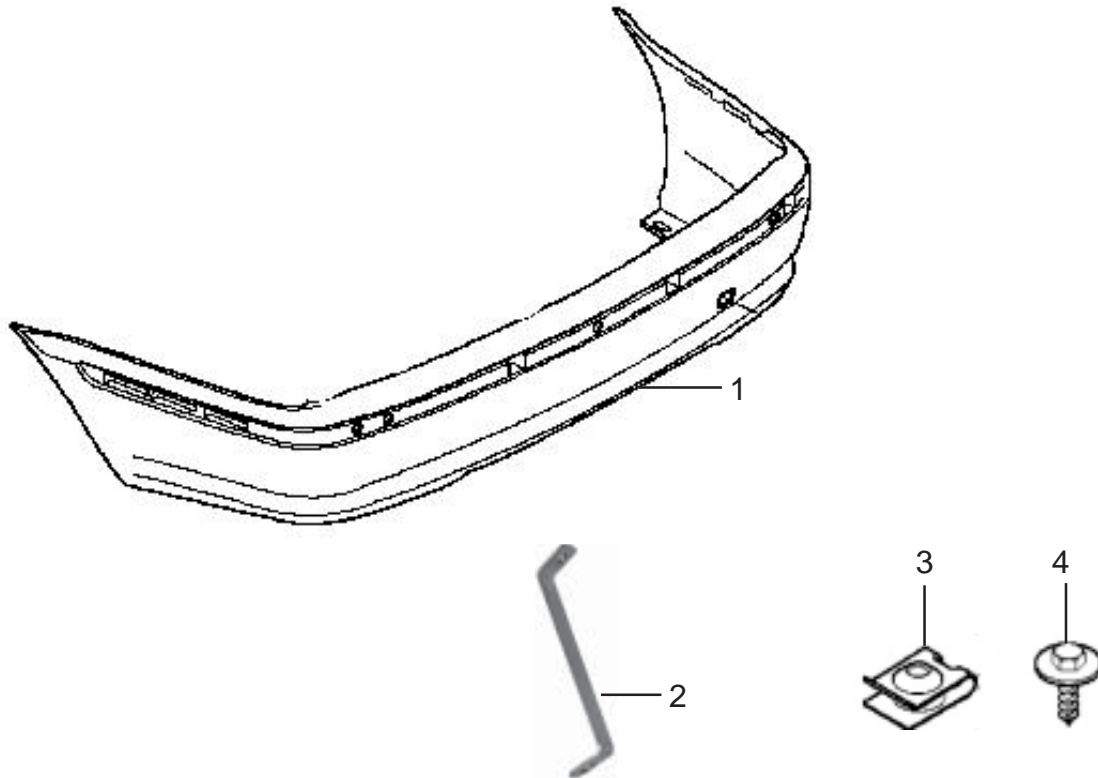
P O S	expression	part number	B3 S L	B3 S C	B3 S R	B3 S T	RL	A U T	R E M
1	handle black/Rüster FL	51 41 183		1					
1	handle black/Rüster FR	51 41 184		1					
1	handle grey/Rüster FL	51 41 185		1					
1	handle grey/Rüster FR	51 41 186		1					
1	handle beige/Rüster FL	51 41 187		1					
1	handle beige/Rüster FR	51 41 188		1					
1	handle laminated/Rüster FL	51 41 189		1					a
1	handle laminated/Rüster FR	51 41 190		1					a
1	handle black/Rüster FL	51 41 191		1			x		
1	handle black/Rüster FR	51 41 192		1			x		
1	handle grey/Rüster FL	51 41 193		1			x		
1	handle grey/Rüster FR	51 41 194		1			x		
1	handle beige/Rüster FL	51 41 195		1			x		
1	handle beige/Rüster FR	51 41 196		1			x		
1	handle laminated/Rüster FL	51 41 197		1			x		a
1	handle laminated/Rüster FR	51 41 198		1			x		a
2	softpad FL	51 41 199		1					a
2	softpad FR	51 41 200		1					a

a) Please indicate exact design!



P O S	expression	part number	B3 S L	B3 S C	B3 S R	B3 S T	RL	A U T	R E M
3	armrest black/Rüster RL	51 42 195		1					
3	armrest black/Rüster RR	51 42 196		1					
3	armrest grey/Rüster RL	51 42 197		1					
3	armrest grey/Rüster RR	51 42 198		1					
3	armrest beige/Rüster RL	51 42 199		1					
3	armrest beige/Rüster RR	51 42 200		1					
3	armrest laminated/Rüster RL	51 42 201		1					a
3	armrest laminated/Rüster RR	51 42 202		1					a
3	armrest black/Rüster RL	51 42 203			1				
3	armrest black/Rüster RR	51 42 204			1				
3	armrest grey/Rüster RL	51 42 205			1				
3	armrest grey/Rüster RR	51 42 206			1				
3	armrest beige/Rüster RL	51 42 207			1				
3	armrest beige/Rüster RR	51 42 208			1				
3	armrest laminated/Rüster RL	51 42 209			1				a
3	armrest laminated/Rüster RR	51 42 210			1				a
4	softpad RL	51 42 217		1					a
4	softpad RR	51 42 218		1					a
4	softpad RL	51 42 235			1				a
4	softpad RR	51 42 236			1				a

a) Please indicate exact design!



P O S	expression	part number	B3 S L	B3 S C	B3 S R	B3 S T	RL	A U T	R E M
1	rear bumper	51 00 159	1						
1	rear bumper	51 00 155		1	1				a
1	rear bumper	51 00 156				1			
1	rear bumper	51 00 162		1	1				b
2	bracket rear bumper	51 00 160	1						
2	bracket rear bumper	51 00 161		1	1				b
3	nut	07 12 9 925 739	1	1	1				b
4	bolt	51 71 8 204 807	1	1	1				b

a) Coupé, Cabrio up to 03/03
b) Coupé, Cabrio from 03/03



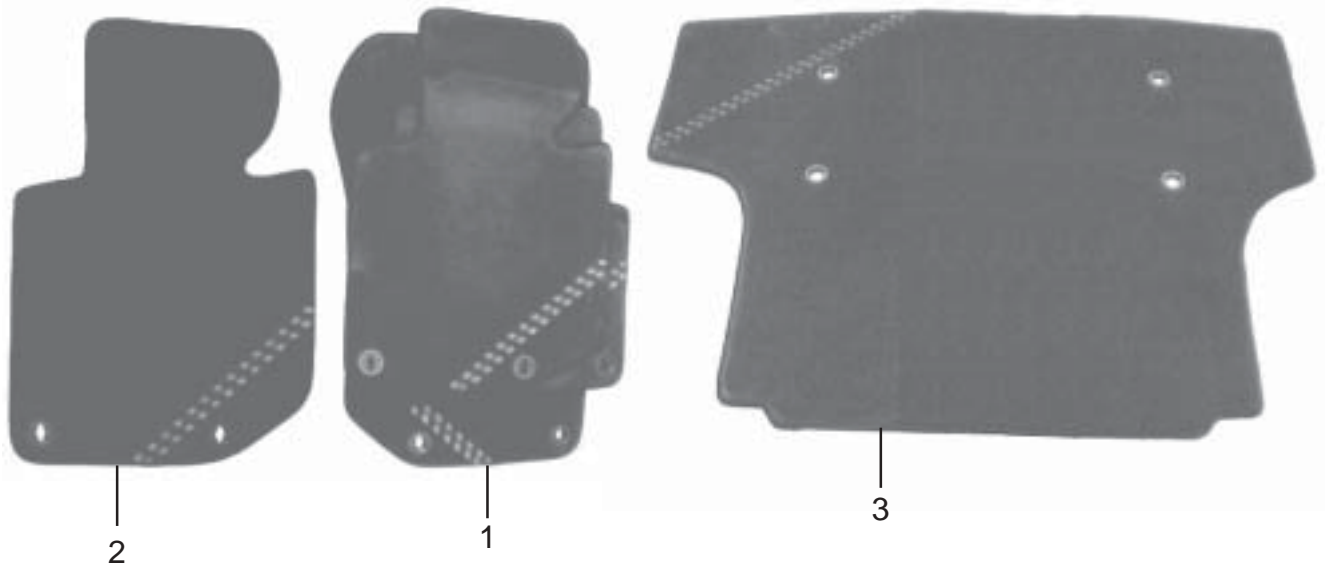
BMW ALPINA B3 S L,
B3 S C, B3 S R, B3 S T

floor mats-
trunk mat

as of
06/03

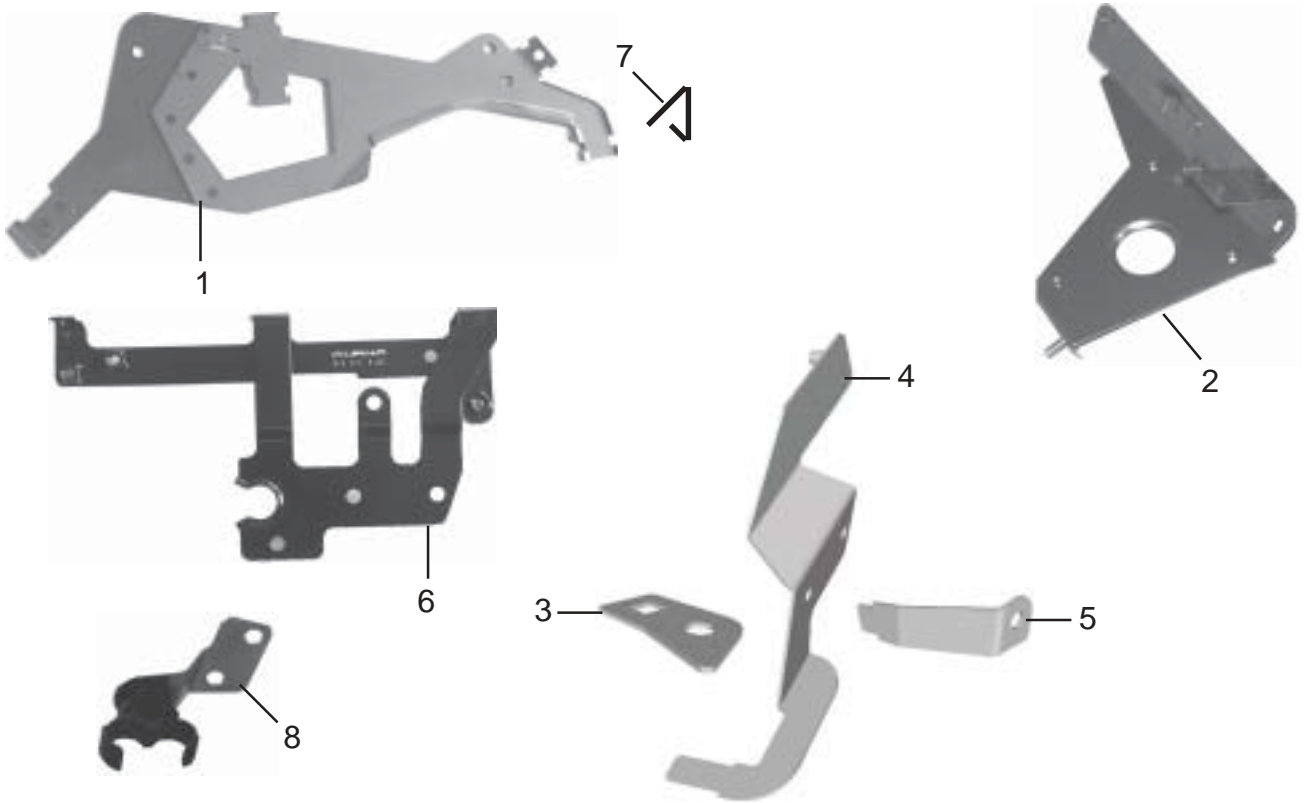
page
1

group
51 43



P O S	expression	part number	B3 S L	B3 S C	B3 S R	B3 S T	RL	A U T	R E M
1	set floor mats	51 43 132	1	1		1			a
1	set floor mats	51 43 134	1	1		1	x		a
1	set floor mats	51 43 136			1				a
1	set floor mats	51 43 138			1		x		a
2	floor mat driver´s side front left	51 43 133	1	1		1			a
2	floor mat driver´s side front right	51 43 135	1	1		1	x		a
2	floor mat driver´s side front left	51 43 137			1				a
2	floor mat driver´s side front right	51 43 139			1		x		a
3	trunk mat without trunk hatch	51 43 129	1	1					
3	trunk mat for trunk hatch	51 43 130	1	1					
3	trunk mat without CD-changer	51 43 140				1			
3	trunk mat for CD-changer	51 43 141				1			
3	trunk mat without navigation	51 43 142			1				
3	trunk mat for navigation	51 43 143			1				
3	trunk mat for navigation and telephon	51 43 145			1				

a) standard version dark grey, indicate special colour!

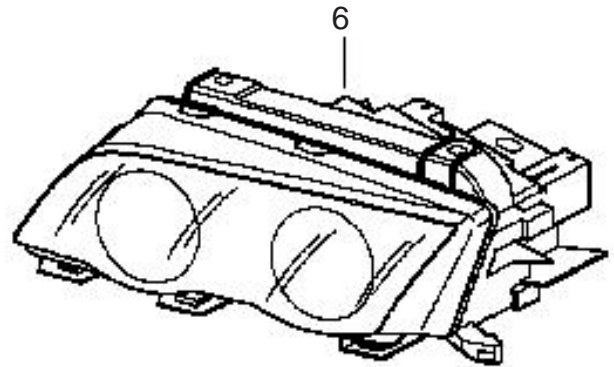
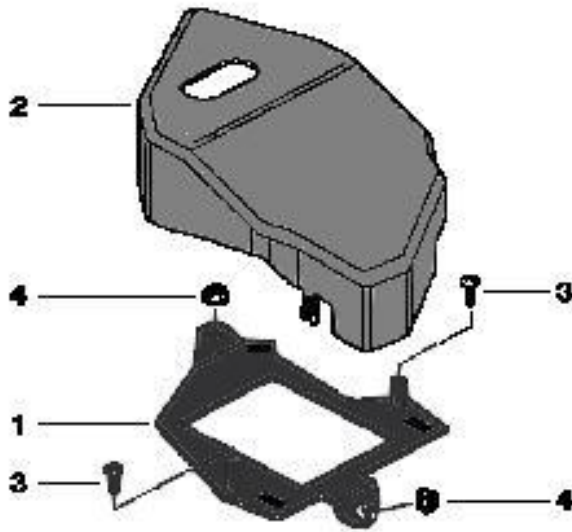


P O S	expression	part number	B3 S L	B3 S C	B3 S R	B3 S T	RL	A U T	R E M
1	bracket cable tree gearbox	61 11 140	1	1	1	1			
2	bracket vacuum pump	34 33 130	1	1	1	1		x	
3	bracket knock sensor	61 11 169	1	1	1	1			
4	bracket wiring duct	61 11 167	1	1	1	1			
5	bracket wiring duct	61 11 168	1	1	1	1			
6	bracket	11 61 1 703 780	1	1	1	1			
7	bracket	12 52 1 436 023	1	1	1	1			
8	bracket positive terminal	61 11 189	1	1	1	1			



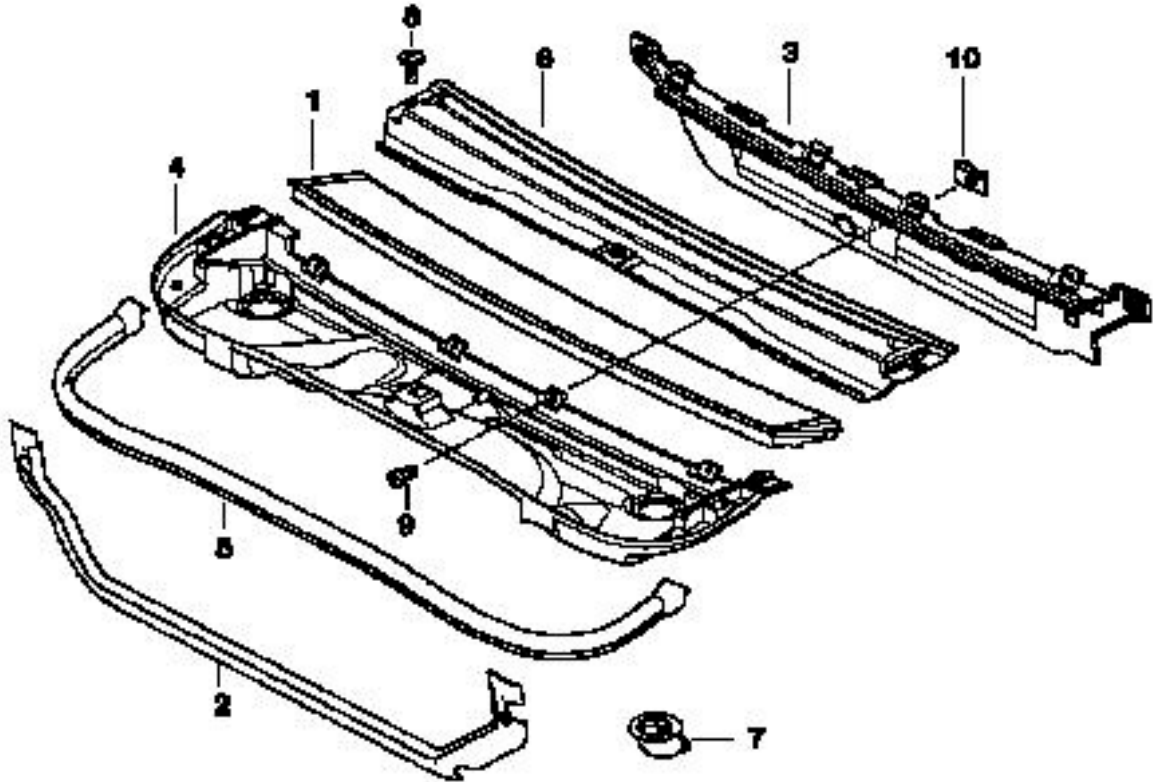
1

P O S	expression	part number	B3 S L	B3 S C	B3 S R	B3 S T	RL	A U T	R E M
1	gauge cluster SW31.0 up to 09/2002 LL	62 10 195	1			1			
1	gauge cluster SW31.0 up to 09/2002 LL	62 10 196	1			1		x	
1	gauge cluster SW31.0 up to 09/2002 RL	62 10 197	1			1	x	x	
1	gauge cluster SW31.0 up to 09/2002 LL	62 10 198		1	1				
1	gauge cluster SW31.0 up to 09/2002 LL	62 10 199		1	1			x	
1	gauge cluster SW31.0 up to 09/2002 RL	62 10 200		1	1		x	x	
1	gauge cluster SW32.0 from 09/2002 LL	62 10 201	1			1			
1	gauge cluster SW32.0 from 09/2002 RL	62 10 203	1			1	x	x	
1	gauge cluster SW32.0 from 09/2002 LL	62 10 204		1	1			x	
1	gauge cluster SW32.0 from 09/2002 RL	62 10 206		1	1		x	x	
1	gauge cluster SW34.0 from 01/2003 LL	62 10 213	1			1			
1	gauge cluster SW34.0 from 01/2003 LL	62 10 214	1			1		x	
1	gauge cluster SW34.0 from 01/2003 RL	62 10 215	1			1	x	x	
1	gauge cluster SW34.0 from 01/2003 LL	62 10 216		1	1				
1	gauge cluster SW34.0 from 01/2003 LL	62 10 217		1	1			x	
1	gauge cluster SW34.0 from 01/2003 RL	62 10 218		1	1		x	x	



P O S	expression	part number	B3 S L	B3 S C	B3 S R	B3 S T	RL	A U T	R E M
1	bracket contol unit xenon-headlight left	61 12 7 893 034	1	1	1	1			a
2	cover control unit xenon-headlight	63 12 7 832 829	1	1	1	1			a
3	screw	72 12 8 244 154	2	2	2	2			a
4	hexnut with washer M6	51 11 8 362 524	2	2	2	2			a
5	bracket contol unit xenon-headlight left	63 12 6 924 283	1	1	1	1			a
6	headlight	BMW-standard							

a) Coupé and Cabrio up to 03/03



P O S	expression	part number	B3 S L	B3 S C	B3 S R	B3 S T	RL	A U T	R E M
1	microfilter	64 31 9 071 935	1	1	1	1			
2	sealing filter housing	64 31 8 370 409	1	1	1	1			
3	housing lower section	64 31 8 362 894	1	1	1	1			
4	housing microfilter	64 31 101	1	1	1	1			
5	sealing	51 71 8 215 915	1	1	1	1			
6	cover Mikrofilter	64 31 8 363 423	1	1	1	1			
7	water outlet valve	64 31 8 370 067	2	2	2	2			
8	lock	64 31 8 385 244	3	3	3	3			
9	screw	64 31 8 385 247	4	4	4	4			
10	cage nut	64 31 8 385 249	4	4	4	4			



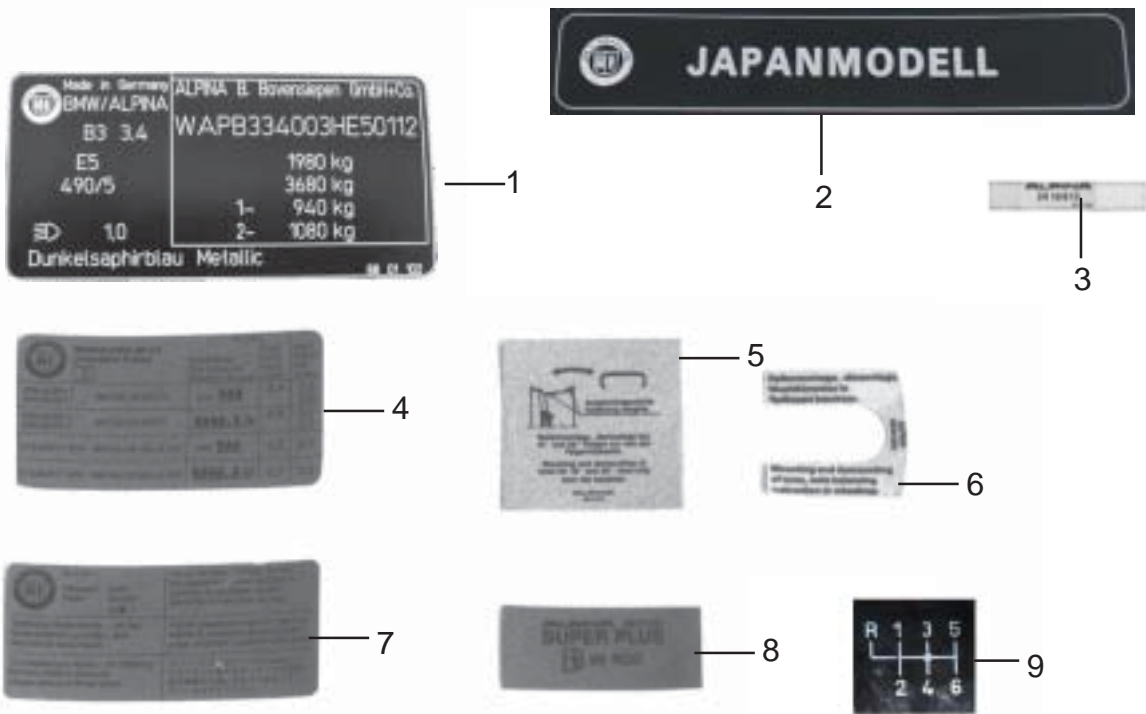
BMW ALPINA B3 S L,
B3 S C, B3 S R, B3 S T

information stickers

as of
06/03

page
1

group
88 01



P O S	expression	part number	B3 S L	B3 S C	B3 S R	B3 S T	RL	A U T	R E M
1	indification sticker	88 01 102	1	1	1	1			
2	sticker "JAPANMODELL"	88 01 110	1	1	1	1			
3	sticker "automatic gearbox 5HP19"	88 01 105	1	1	1	1		x	
4	sticker tyre pressure	88 01 130	1	1					
4	sticker tyre pressure	88 01 131				1			
4	sticker tyre pressure	88 01 132			1				
5	sticker tyre mouting (cover)	88 01 045	4	4	4	4			
6	sticker tyre mounting (rim)	88 01 070	4	4	4	4			
7	sticker "nonvisible valves"	88 01 081	1	1	1	1			
8	sticker "Super Plus" (tank cap)	88 01 037	1	1	1	1			
9	gear shift pattern	88 01 069	1	1	1	1			
	without pic. protection film (for door lower section) Ø 40mm transparent	51 47 115	2			2			



BMW ALPINA B3 S L,
B3 S C, B3 S R, B3 S T

owner's manual

as of
06/03

page
1

group
88 03



1



2

P O S	expression	part number	B3 S L	B3 S C	B3 S R	B3 S T	RL	A U T	R E M
1	owner's manual (german)	88 03 223	1	1	1	1			
1	owner's manual (english)	88 03 224	1	1	1	1			
2	service manual (german)	88 03 247	1	1	1	1			
2	service manual (english)	88 03 248	1	1	1	1			
2	service manual (italian)	88 03 249	1	1	1	1			